




ADDENDUM #1

INFORMAL BID 2012-101
KITSAP COUNTY DEPARTMENT OF ADMINISTRATIVE SERVICES
PURCHASING DIVISION

TO: All Respondents

CLOSING DATE: January 30, 2012 @ 3:00 PM (**CHANGED**)

REFERENCE NO.: 2012-101

FROM: Linda Nelson, Buyer 

DATE: January 19, 2012

The following are changes to the above referenced Informal Bid.

1. The bid closing date extended to, Monday, January 30, 2012 at 3:00 P.M.
2. Added, Salisbury Point Park shower, pipe chase and unisex restroom and doorjamb change.
3. Site visit Questions and answers (Attachment "A")
4. Restrooms Partitions and Stainless steel accessories, manufactures specifications. (Attachment "B") .

Salisbury Point Park Restroom:

Salsbury Point Park Restroom:

- Toilets, sink, urinals: Replace all with stainless steel.
- Fixtures to include:
 1. Push-button assembly. Keep existing push button assemblies).
 2. Non-lever handle for toilets and urinals
 3. Low-flow flush

Restroom floors:

1. Install new grey epoxy paint.
2. Replace floors drains, as needed.
3. Install new epoxy/vandal proof paint on the interior of both restroom walls. Not ceilings.
4. . Doors and door jams painted brown (color selected by county staff).
5. Pipe chase and lower pump house doors to be double doors and to have sliding stop bolt action levers installed on both the upper and lower portion of the door jams and concrete floor and ceiling, on the inside of the left doors, for doors to be secured in addition to the dead bolt. Doors to swing out, not in.
6. Partition doors to be replaced and new hardware, in both restrooms.
7. Plumbing inside the pipe chase for the upper restrooms walls.

Buck Lake Park Restroom:

1. Restroom floors: Install new grey epoxy Paint.
2. Install new epoxy/vandal proof paint on the interior of both restrooms walls. Not ceiling
3. No Partition replacement.

Horseshoe Lake Park Restrooms:

Toilets, sinks, urinals: Replace all with stainless steel.

- Fixtures to include:
 1. Push – button assembly. Leave and use existing push button assemblies.
 2. Non-lever handle for toilets and urinals
 3. Low-flow flush.
- Restroom floors: Install new grey epoxy paint. Fill in all holes in floor from previous hardware.
- Restroom walls: Install new epoxy/vandal proof paint-interior. Fill in all holes in walls from previous hardware.
- . Install a partition door between the sink and urinal.

Wildcat Lake Park Restroom:

Restroom floors:

1. Install new grey epoxy paint
 2. Replace floors drains as needed.
 3. Pipe chase door not to swing out, swing in only. Leave door as is.
 4. Paint the concession door the same color at all doors.
- Restroom walls: Install new epoxy/vandal proof paint-interior
 - No partition replacement.

Acrylic Epoxy or approved equal:

- P43-08- Product, Acrylic Epoxy
- P43-86 Catalyst

This product is for painted walls.

Cure in seal (clear). Floor-Material.

ATTACHMENT "A"

Question: Do I have any specifications towards this project, towards any of the urinals, toilets, sinks, faucets, wall and floor paint, partitions, and locking mechanisms?

Answer: We provided information for everything, but the locking mechanisms.

Question: What are locking mechanisms and what are door closures?

Answer: Door closures are the slow closing hardware attached on the inside of the doors, to allow the door to close slowly when opened. Locking mechanisms are located inside the doorjamb, run from the actual door to the power supply and timer. This allows the door to close and lock at a specific time.

Question: Is Wildcat Lake and Horseshoe Lake park restrooms the same in footprint and in fixtures?

Answer: Yes. No one wanted to drive to this park.

Question: Is the concession stand doors to be painted at Wildcat Lake and Horseshoe Lake?

Answer: Yes, the same as the pipe chase and restroom doors.

Question: Will the timeline of 31 March 2012 be extended, if so, how much longer, a most of the contractors felt as though getting stainless steel fixtures was going to take anywhere from 6-8 weeks to get, sometimes longer.

Answer: There is a problem extending completion date 30 days and running into the parks season, but we really did not want to have to push this out any further, as this would create issues with facility reservations, no or limited public restroom facilities.

Question: Is add/replace the old wooden partitions at Salsbury Point Park?

Answer: Yes, refer to the specifications update.

Question: Is there to be partition installed between the urinal and the sink at Horseshoe Lake Park?

Answer: Yes, the existing one is missing.

Question: Will the paints/epoxy be adhered doing applicable weather timeframe?

Answer: Yes, It has to be.

Question: Do we keep the existing door keyways/cores?

Answer: Yes, we keep the existing door keyway/cores.

Question: The pipe chase door at Wildcat Lake presently swings in; do we still want it to swing out, even though it will not clear the eaves?

Answer:

No. Leave this door as is. Do not touch or replace.

Question: Are all walls to be painted, dose this include the brick, tile and shower walls?

Answer: Yes, it includes all walls no ceilings.

Question: At Salsbury Point Park, on the shower, pipe chase and unisex restroom door, do you want these to swing out , a couple of the doors may hit each other, how do you want these to be set or do you want to leave these doors as is.

Answer: Leave the shower, pipe chase and unisex restrooms doors and doorjambes as is, do not replace any of these.

There are no other changes to the original specifications other than what is noted above. Acknowledgement of receipt of this and all ADDENDUM is required.

END OF ADDENDUM #1

①

ROUGHING IN DIMENSIONS MAY VARY AND ARE SUBJECT TO CHANGE. NO RESPONSIBILITY IS ASSUMED FOR USE OF SUPERCEDED OR VOIDED DATA.

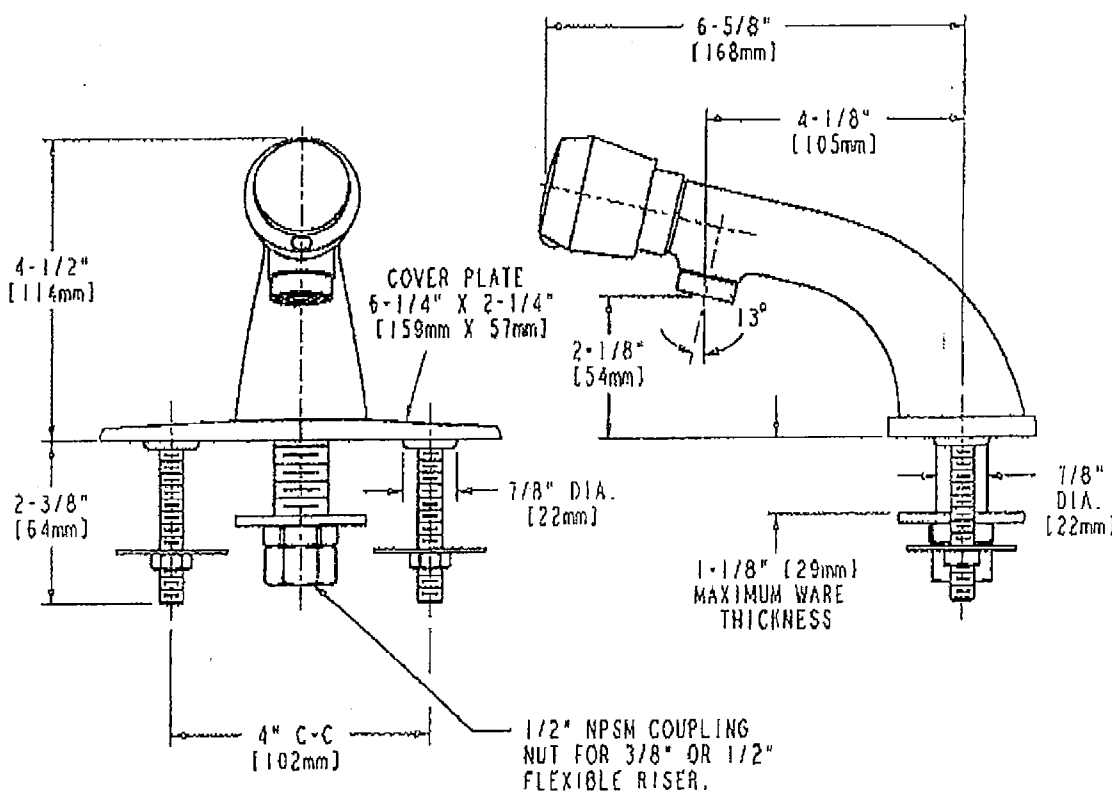
CHICAGO FAUCETS a Geberit company	2100 SOUTH CLEARWATER DRIVE DES PLAINES, ILLINOIS 60018-5999	FITTING NO. 857-E2805-665PSH
		SUBMITTED MODEL NO.

JOB NAME	ITEM NO.
----------	----------

SUBMITTED AS SHOWN	
SUBMITTED AS NOTED	
SEE ATTACHED FOR SUBMITTED MODIFICATION	



ADA COMPLIANT



In place

TECHNICAL DATA Phase II - Do phase I the sue	DATE: 01-29-06 BY: SID CHK'D: APP'D: <i>[Signature]</i> REV: 01-09-06	857-E2805-665PSH
<ul style="list-style-type: none"> - DECK MOUNTED SINGLE WATER INLET FITTING WITH COVER PLATE - 665 INDEXED PUSH BUTTON HANDLE - WVP METERING CARTRIDGE - FINISH: CHROME PLATE 	<ul style="list-style-type: none"> - E2805 VANDAL RESISTANT ECONO-FLO OUTLET - 0.5 GPM (1.9 L/min) MAX. FLOW RATE - ASME A112.18.1 COMPLIANT - CSA B125 COMPLIANT 	

2

MODEL NUMBER AND OPTIONS

1.) Lavatory Type:

HS

2.) Base Model Number:

1014-96-HC 18" Handicap Lavatory

3.) bubbler or Spout Selection:

DMS Deck Mounted Spout

Faucet by Others

4.) Valve Selection:

NV No Valve (Specify Hole Punching)

PM1 Single Temp. Pnev. Metering

PM2 Dual Temp. Pnev. Metering

EL1 Single Temp. Electronic

EL2 Dual Temp. Electronic

PBH Hemispherical Pushbutton

Valve Manifold Options:

Pneumatic or Electronic only:

MA2

MA3

MA4

5.) Lavatory Waste:

EB Elbow Waste (Standard)

LW2 Lavatory Waste Extension

SD Slow Drain

LW1 Thru-Wall Extension, P-Trap & Clean-out

WS Wall Sleeve

ISH Integral Shelf

VG Ventilation Grille (Specify Location & Free Area)

Other: _____

Other: _____

6.) Options:

MT Metal Template

TB1 Toothbrush Holder (Specify Location)

TB2 Toothbrush Holder (Specify Location)

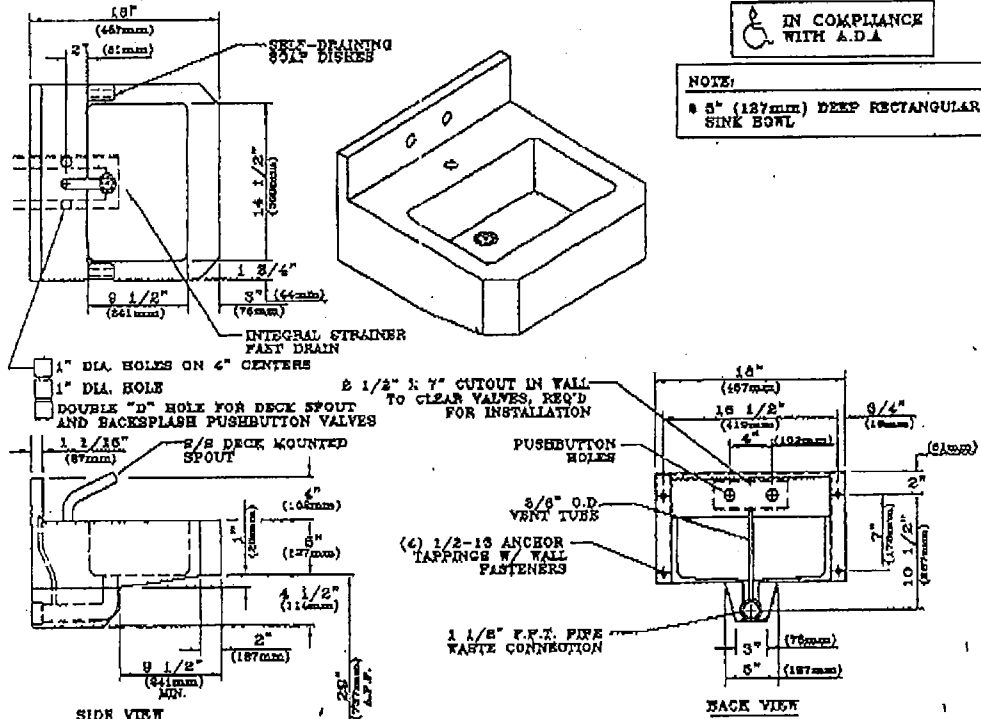
TH1 Single Towel Hook (Specify Location)

TB2 Dual Toothbrush Holder (Specify Location)

FA Front Access Fixture

at ILL use these

Drawing Approved For Manufacturing By: _____ Date: _____ Company: _____
 Wall Thickness: _____ Wall Type: _____



IN COMPLIANCE WITH A.D.A.

NOTE:
 8 5" (127mm) DEEP RECTANGULAR SINK BOWL

To specify fixture and accessories, use the Model Number and Options Guide.
 Example: To specify an HS-1014-96-HC Handicap Lavatory with single towel hook. Use the following Willoughby Model Number:
 Willoughby Model Number: HS-1014-96-HC-NM-3H1

Willoughby Industries, Inc.

3-14

Willoughby reserves the right to make changes in design and dimensions without formal notice and without incurring obligation. Verify all dimensions and tolerances with factory prior to using for any purpose.

© Rev. 9/2005

3

MODEL NUMBER AND OPTIONS:

1) Urinal Waste Location:

UW Wall Outlet

2) Base Model Number:

1814 Single Person Trough Urinal

3) Flush Type:

WO Wash-out

4) Inlet Location:

BS Back Spud

TS Top Spud

5) Options:

MT Metal Template

WS Wall Sleeve

FV Flush Valve

FVC Flush Valve Cover (1bp Spud)

FVT Flush Valve Thru-Wall Connection (Requires Back Spud Option)

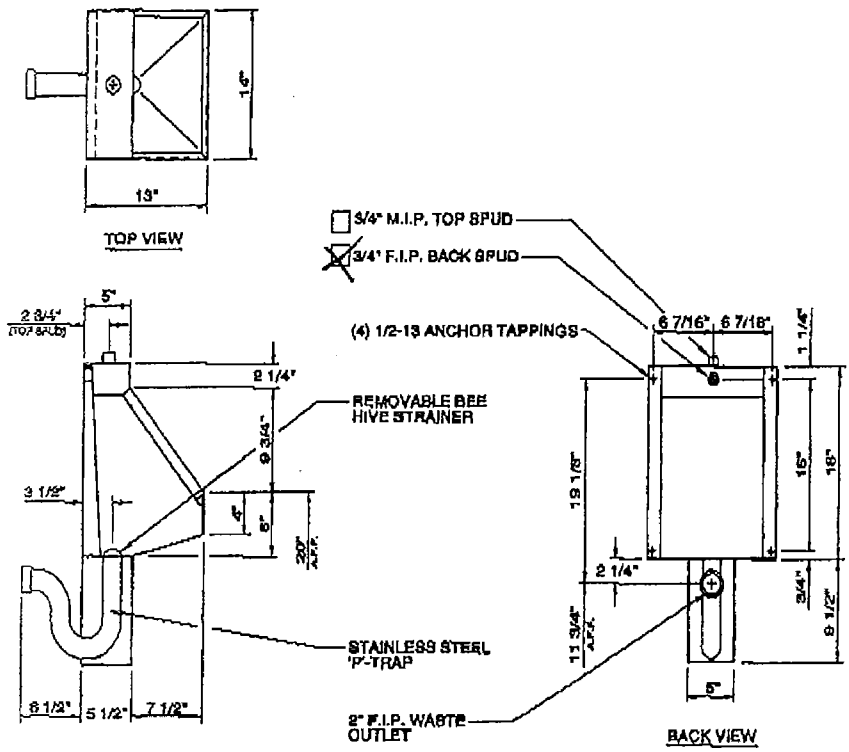
AP Flush Valve Access Panel

Other: _____

Other: _____

Drawing Approved For Manufacturing By: _____ Date: _____ Company: _____
Wall Thickness: _____ Wall Type: _____

VERIFY ALL DIMENSIONS PRIOR TO MANUFACTURE



To specify features and accessories, use the Model Number and Options Guide.
Example: To specify a URY-1814-WO single person trough urinal with back spud, use the following Willoughby Model Number
Willoughby Model Number: URY-1814-WO-BS

PE47607B
UW-1814-WO URINAL
Willoughby Industries, Inc.

16-14 Willoughby reserves the right to make changes in design and dimensions without formal notice and without incurring obligation. Verify all dimensions and tolerances with factory prior to using for any purpose.

© Rev 6/2007

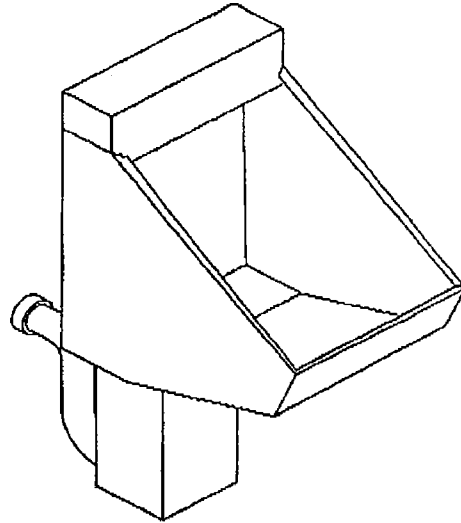
4

Willoughby Industries - Commercial Ware



UW-1814-WO Series Single Person Trough Urinal Washout Type

✓	MODEL NUMBER	FLUSH TYPE	INLET LOCATION
	UW-1814-WO-BS	WASHOUT	BACK
	UW-1814-WO-TS	WASHOUT	TOP



Recommended Specifications

Wall hung single person trough urinal shall be Willoughby Model No. UW-1814-WO-__ (select from table above).

Fixture shall be fabricated from 14 gauge, type 304 stainless steel. The construction shall be all-welded, with exposed stainless surfaces polished to a #4 satin finish.

Standard equipment shall include: full perimeter 360 de-

gree flushing rim, beehive strainer and integral stainless steel p-trap. Urinal shall be washout type which requires 25 psi minimum flushing pressure. Trap shall be fully enclosed, maintain a 3" seal and pass a 1.9" ball.

Anchoring shall be by standard 4-point system: threaded rods, nuts and washers furnished for walls up to 8" thick. Unit requires chase area for installation and maintenance.

Visit our website at <http://www.willoughby-ind.com>
2210 West Morris Street • P.O. Box 21217 • Indianapolis, IN 46221
(317) 638-2381 • Fax: (317) 638-6110 • (800) 428-4065

© Rev. 6/2007

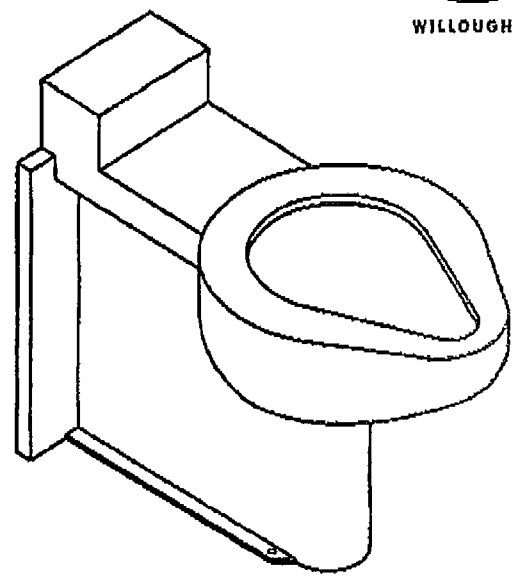
16-13

5

Willoughby Industries - Security Products



ETWS-1490-FM-HC
Handicap
Floor Mounted
Siphon Jet Series
Water Closet



✓	MODEL NUMBER	INLET LOCATION
	ETWS-1480-FM-BS-HC	BACK
	ETWS-1490-FM-TS-HC	TOP

Recommended Specifications

Toilet shall be Willoughby Model No. **ETWS-1490-FM-__-HC** (select from table above).

Fixture shall be fabricated from 14 gauge, type 304 stainless steel. The construction shall be all-welded, with exposed stainless surfaces polished to a #4 satin finish.

Standard toilet shall include: elongated toilet bowl with contoured seat, integral crevice-free self-draining flushing rim with positive afterfill and fully enclosed 3" O.D. trap which shall maintain a minimum 3 1/2" seal and pass a 2 5/8" ball. Toilet shall be siphon jet type which requires 25 psi minimum flushing pressure.

Fixture shall withstand loadings up to 2,000 lbs. with no measurable deflection and loadings up to 5,000 lbs. with no permanent damage.

Anchoring shall be by standard 4-point system: threaded rods, nuts and washers shall be furnished for walls up to 8" thick. Unit shall require chase area for installation and maintenance.

Note: For 1.6 gallon flush, unit will pass a 2 1/8" ball.
Note: Requires chase for rear spud.

On back to back fixture installations, do not use standard cross type waste fittings: cross flow may result due to blowout jet action. Use sanitary or offset type waste fittings.

*- toilets to have capability of hanging mounting toilet seats @ a later date
- Toilet seats are integral? ye*

Visit our website at <http://www.willoughby-ind.com>
2210 West Morris Street • P.O. Box 21217 • Indianapolis, IN 46221
(317) 638-2381 • Fax: (317) 638-6110 • (800) 428-4065

© Rev. 6/2007

2-21

(Handwritten circled 'G')

*Restroom
Pushing
General
Hand
work*

1702 Peninsula Drive • Erie, PA 16505-4243
 P.O. Box 8370 • Erie, PA 16505-0370
 Phone 814/833-1154 • Fax 814/838-3473
 Website <http://www.genpartitions.com>
 email mikez@genpartitions.com

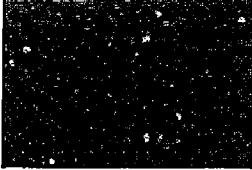

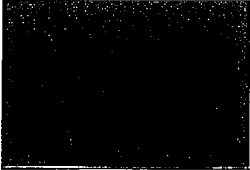

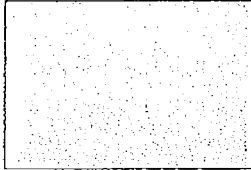
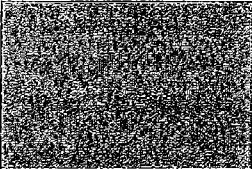
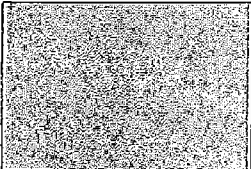



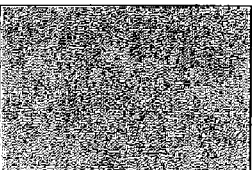

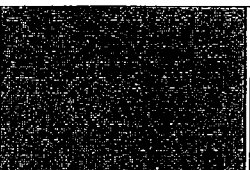
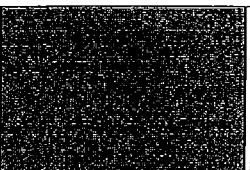
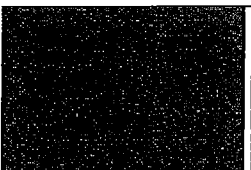


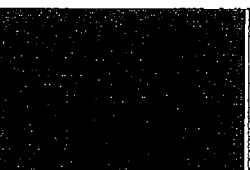
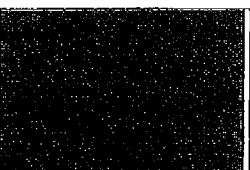
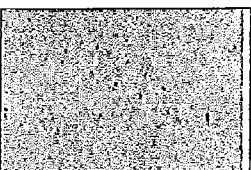
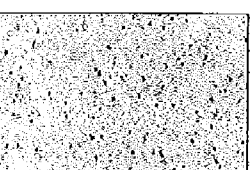
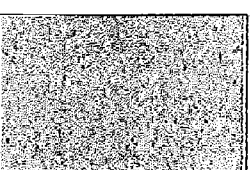
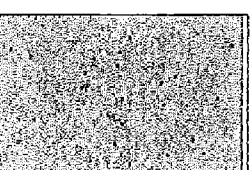
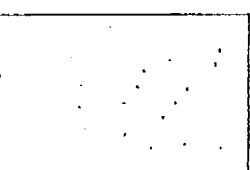
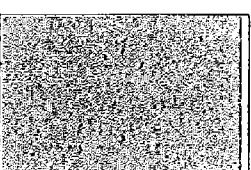


HIGH DENSITY POLYMER

General's H.D.P. toilet partitions, showers and dressing compartments are manufactured using high density polymer resin. Color is solid thru-out. Compartments cannot rust, rot, delaminate or absorb odors like marble. Surface has a beautiful orange peel finish to help prevent scratches. Completely water resistant, can be used under any moisture condition. Perfect for shower and dressing compartments as well as toilet partitions.

STANDARD COLORS

The colors shown are lithographed swatches (not exact color match). Because responsible manufacturers of high density polymer reserve the right of reasonable color variation, we must reserve the same right.

				
203 STARRY NIGHT	205 GALAXY	220 COBALT	225 DESIGNER WHITE	228 LINEN
				
236 STERLING	238 OYSTER	240 COLONIAL	242 TITANIUM	250 ONYX
				
260 SANDSTONE	262 LATTE	264 COFFEE	266 JASPER	270 AQUAMARINE
				
272 FERN	274 HUNTER	290 BORDEAUX	295 CRANBERRY	600 GARNET
				
601 TOPAZ	602 EMERALD	603 SAPPHIRE	604 LIMESTONE	605 GRANITE

The colors shown are lithographed swatches (not exact color match). Because responsible manufacturers of high polymer reserve the right of reasonable color variation, we must reserve the same right.

<http://www.generalpartitions.com/media/color-samples/high-density-polymer.pdf>

2/11/2009