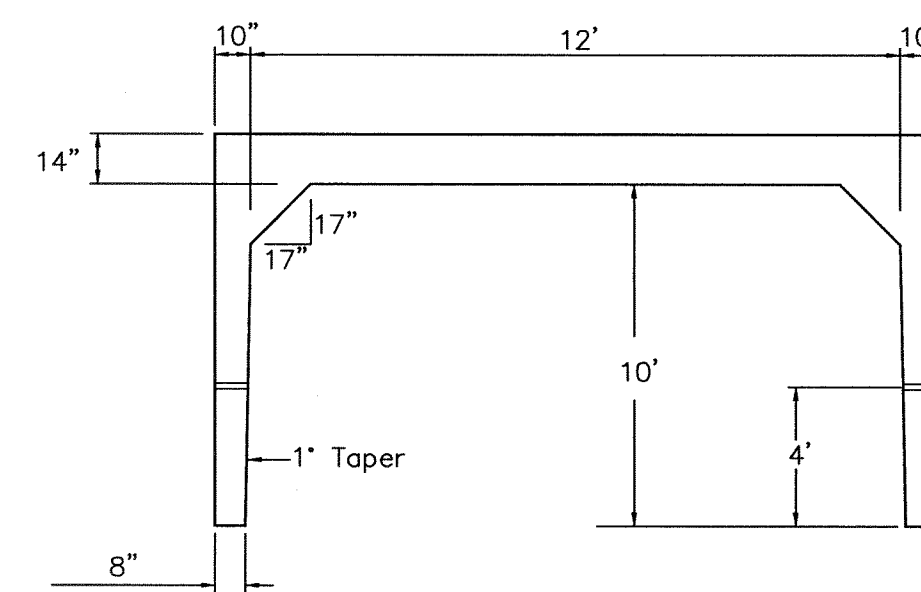
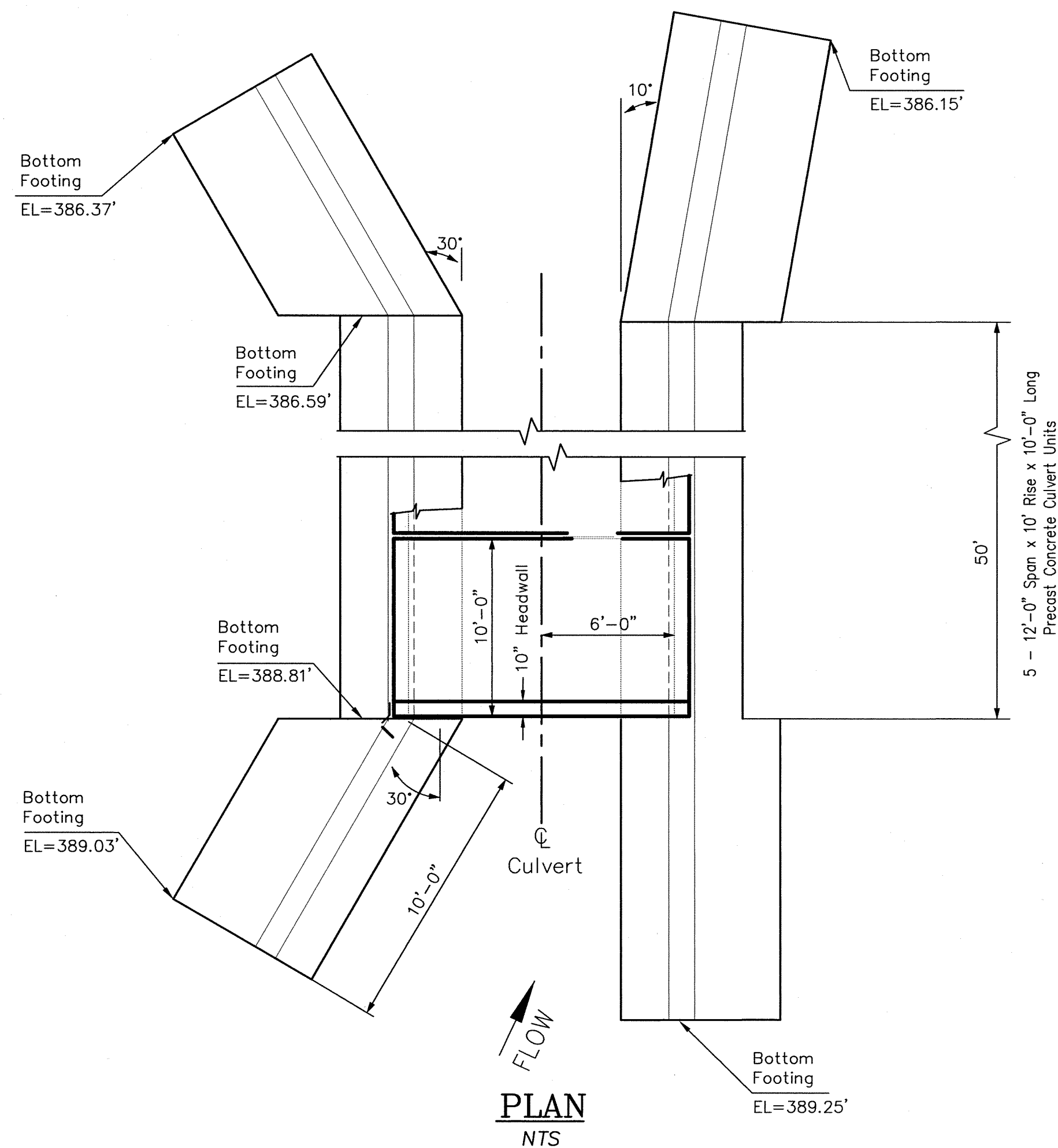
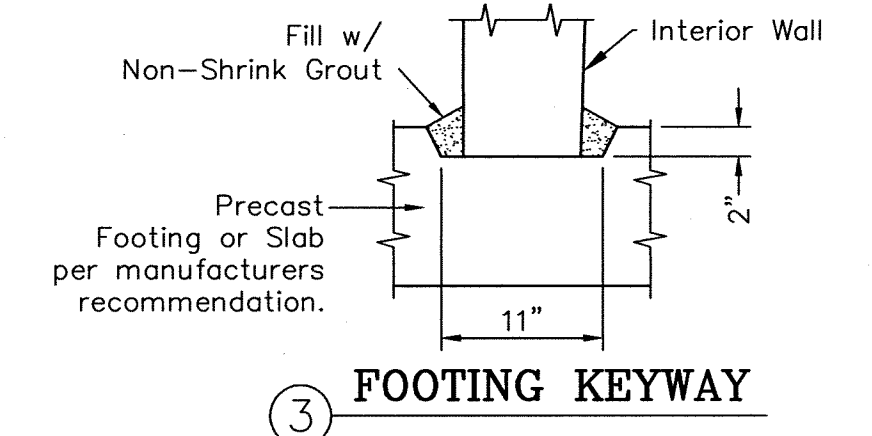
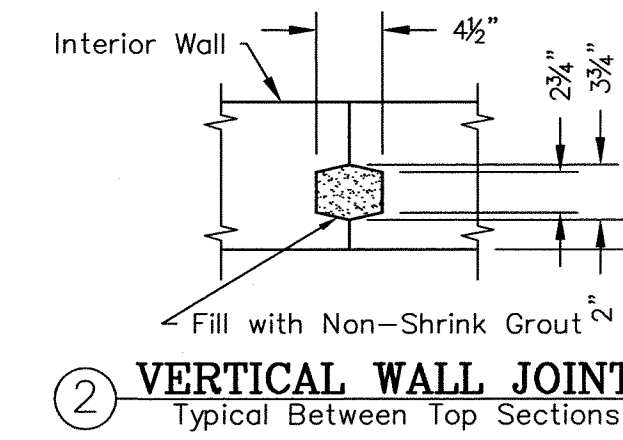
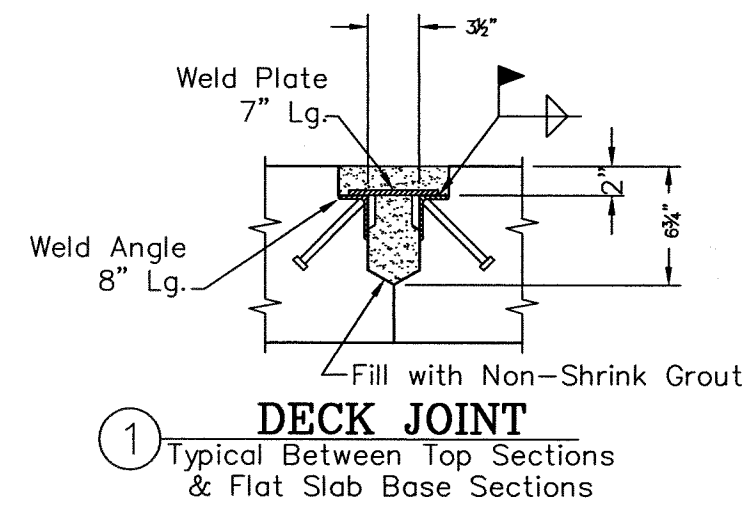


DESIGN DATA

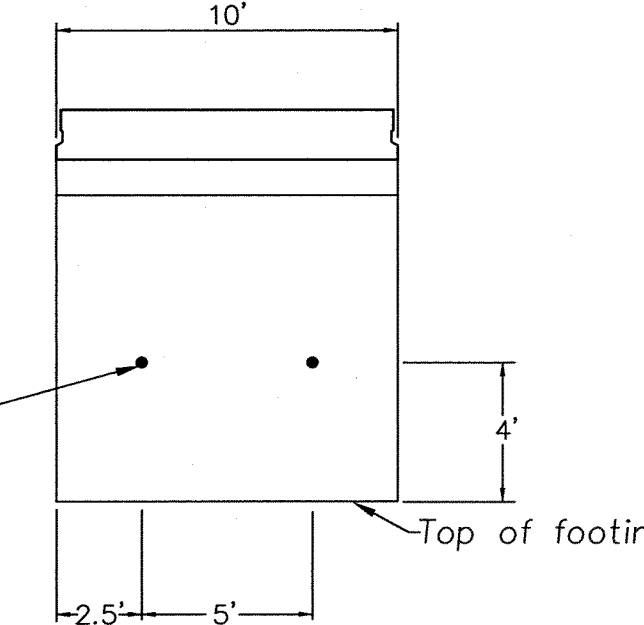
Design Loading: HL-93
 Design Method: Load factor per AASHTO Specification
 Allowable Soil Bearing: 3500 PSF
 Depth of cover: 7.5 Ft.

MATERIALS

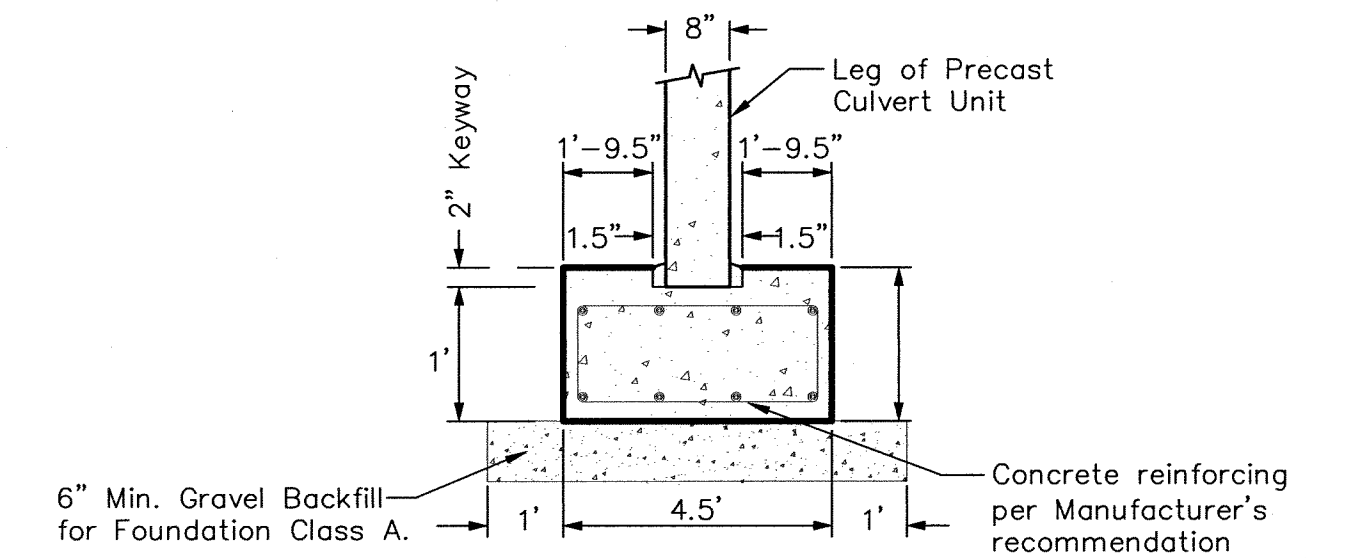
Precast units shall be constructed and installed in accordance with Manufacturer's Specifications. Concrete for Footings and Wingwalls shall have a minimum compressive strength of 4000 psi. Reinforcing steel for Footings and Wingwalls shall conform to ASTM A615, A616 or A617-Grade 60.



LONGITUDINAL SECTION



TYPICAL TRANSVERSE SECTION



TYPICAL PRE-CAST CULVERT FOOTING
 NTS

NOTES

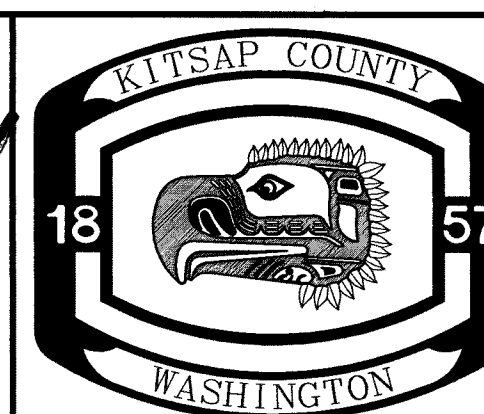
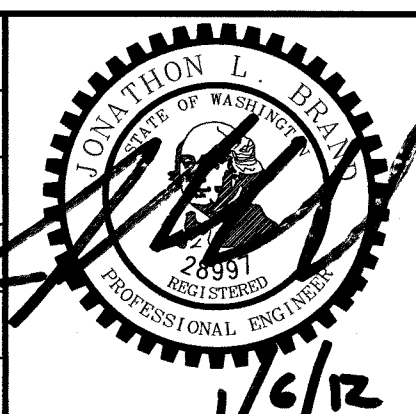
1. Standard details on this sheet are based on Utility Vault standard details or approved equal.

C:\PROJECTS\NEW CENTER CULVERT\CONTROL.DWG 10/28/11 10:49 AM 10/28/11

CONTROL POINTS	

REVISIONS			
No.	BY	DATE	DESCRIPTION

SURVEYED: RAH
 DESIGNED: EDS
 DRAWN: EDS
 CHECKED: RED
 CRP No. 3650
 DATE: 9/28/11



KITSAP COUNTY
 DEPT. OF PUBLIC WORKS
 614 DIVISION STREET MS-26
 PORT ORCHARD, WA 98366
 TEL:(360) 337-5777 FAX:(360) 337-4867

NW HITE CENTER ROAD
CULVERT DETAILS
 KITSAP COUNTY, WASHINGTON
 SECTION 1&6, TOWNSHIP 24 NORTH, RANGE 1&2 EAST, W.M.

SHEET **5**
 OF
 6

WASHINGTON STATE PLANE COORDINATE SYSTEM
NORTH ZONE - NAD83 (1997)

SCALE: 1"=10'
0 5 10 20

2 FOOT CONTOUR INTERVALS

VERTICAL DATUM: NGVD 29
NOAA POINT "Y-254 RESET 1984"
SILVERDALE WAY AT ENTRY TO
SILVERDALE MEDICAL CENTER
ELEVATION 44.098 FEET
CARRIED INTO SURVEY SPIKE 1458
ELEVATION 418.170 FEET

4-003
MALVIK

4-003
MALVIK

4-003
MALVIK

DATA POINTS

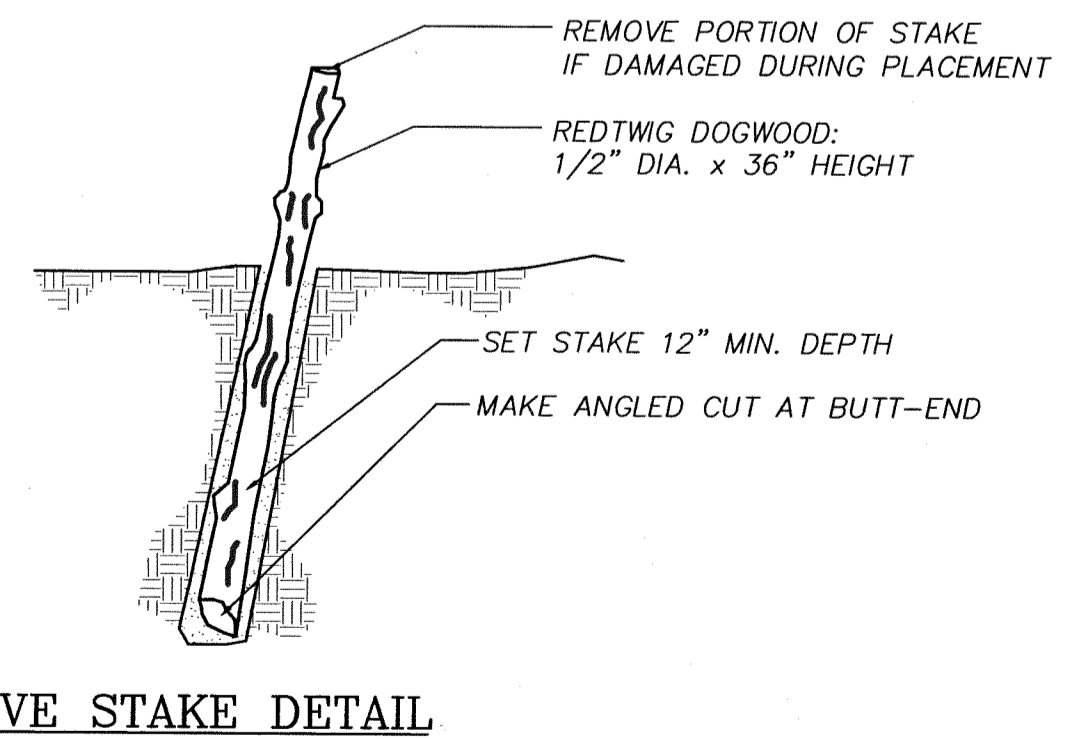
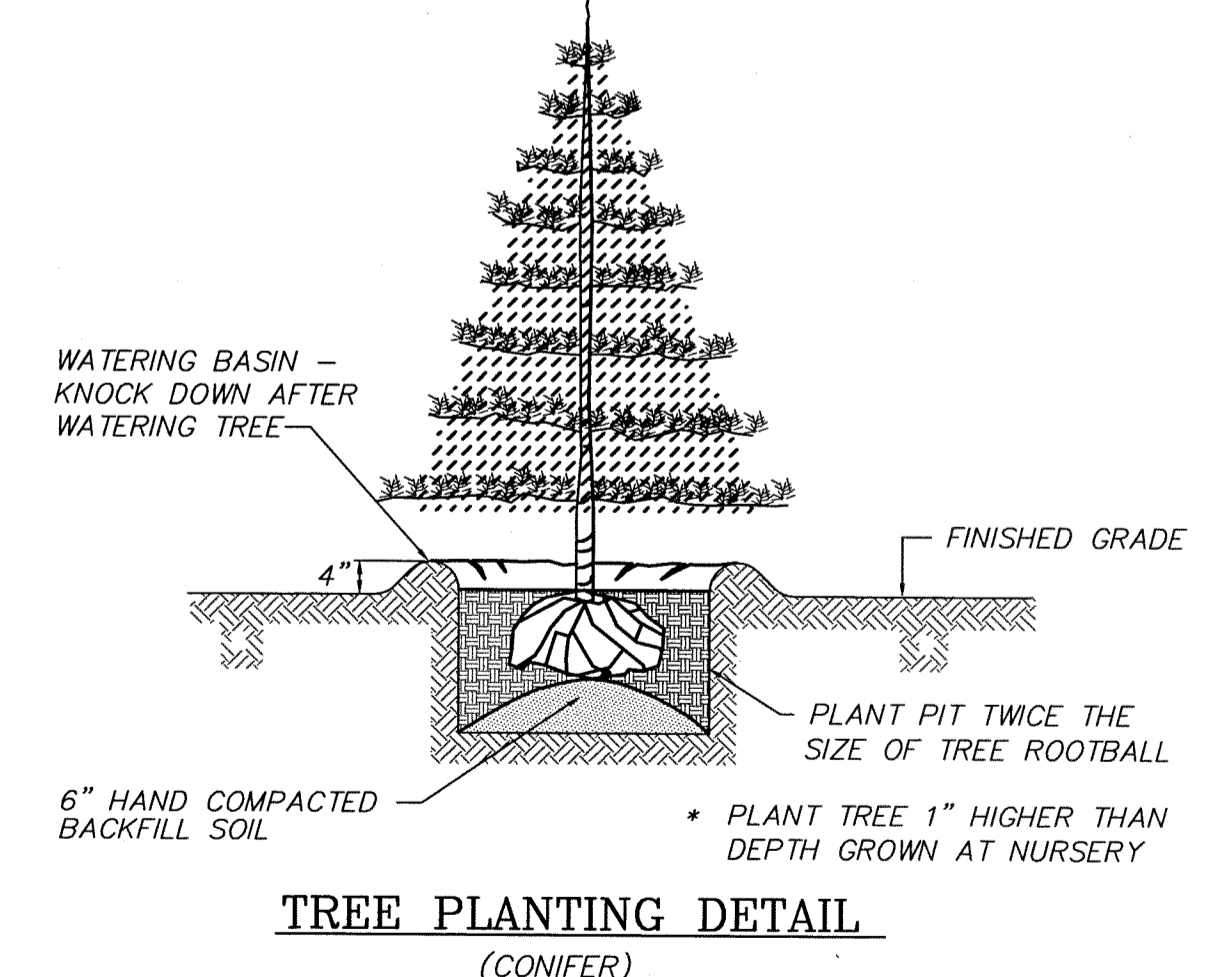
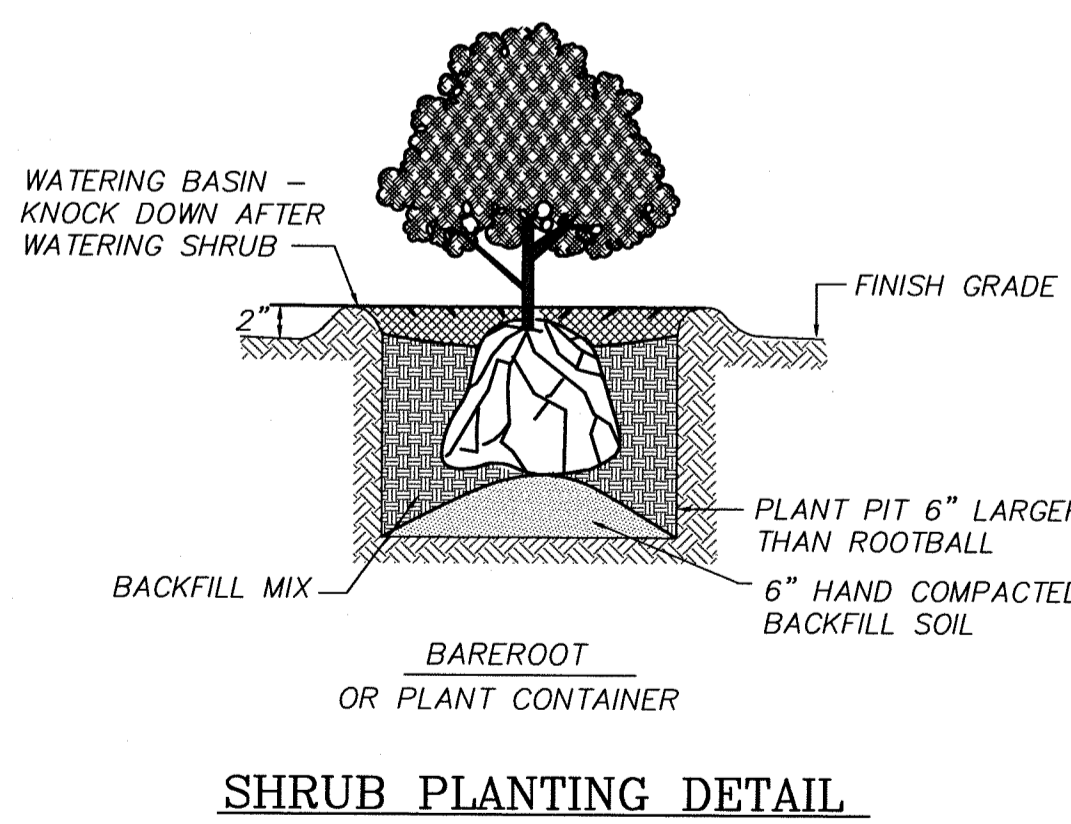
POINT #	STATION	OFFSET	NORTHING	EASTING
1	12+00.40	15.00' RT	224231.21	1139273.96
2	11+98.51	24.96' RT	224221.27	1139271.99
3	11+43.29	42' RT	224204.85	1139215.74
4	11+43.29	62' RT	224184.86	1139215.15
5	10+83.29	62' RT	224186.21	1139156.11
6	10+83.25	36.23' RT	224206.20	1139156.40
7	10+00.00	15.00' RT	224236.09	1139072.85
8	11+63.29	15.00' LT	224261.52	1139237.11
9	11+33.29	65' LT	224312.10	1139208.92
10	10+73.29	65' LT	224313.34	1139147.95
11	10+73.29	15.00' LT	224263.34	1139147.23
12	11+32.90	15.00' RT	224232.15	1139206.16
13	11+32.90	40.00' RT	224207.16	1139205.42
14	10+88.29	40.00' RT	224208.13	1139161.43
15	10+88.29	15.00' RT	224233.13	1139161.79
16	11+29.00	15.00' LT	224262.25	1139203.15
17	11+29.00	55.00' LT	224302.23	1139204.33
18	10+80.50	55.00' LT	224303.23	1139155.01
19	10+80.50	15.00' LT	224263.24	1139154.43

LEGEND

- CLUSTERS OF 3 PLANTED 4' ON CENTER
- INDIVIDUAL CONIFER SEEDLINGS PLANTED 10' ON CENTER MINIMUM
- RIGHT OF WAY MARGIN LINE
- TEMPORARY CONSTRUCTION EASEMENT

NATIVE PLANTS INSTALLED

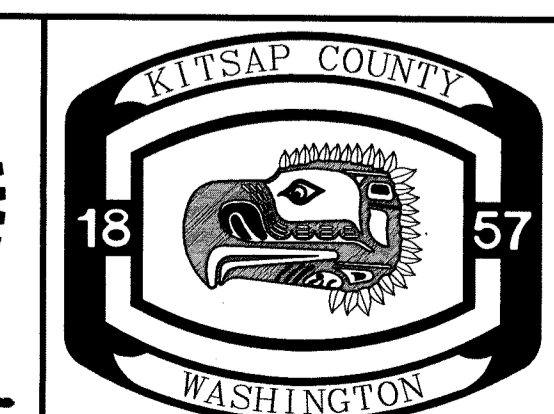
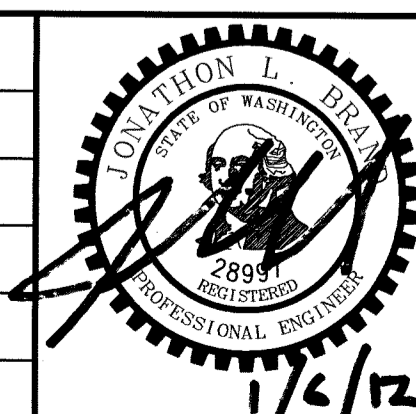
Symbol	Description	Number	Size
	DOUGLAS FIR (<i>Pseudotsuga Menziesii</i>)	12	3-4 ft Tall
NB	NINEBARK (<i>Physocarpus capitatus</i>)	6	1 Gal
IP	INDIAN PLUM (<i>Osmoronia cerasitormus</i>)	15	1 Gal
EH	EVERGREEN HUCKLEBERRY (<i>Vaccinium Ovatum</i>)	27	1 Gal
SB	SALMONBERRY (<i>Rubus Spectabilis</i>)	15	1 Gal
	REDTWIG DOGWOOD (<i>Cornus stolonifera</i>) 18" O.C.	36	live stake
	SITKA WILLOW (<i>Salix sitchensis</i>) - 4' O.C.	21	1 Gal
	WESTERN RED CEDAR (<i>Thuja Plicata</i>)	10	3-4 ft Tall
	WESTERN HEMLOCK (<i>Tsuga Heterophylla</i>)	6	3-4 ft Tall
TOTAL PLANTS INSTALLED		148	



CONTROL POINTS

REVISIONS

SURVEYED: RAH
DESIGNED: EDS
DRAWN: EDS
CHECKED: RED
CRP No. 3650
DATE: 9/28/11



KITSAP COUNTY
DEPT. OF PUBLIC WORKS
614 DIVISION STREET MS-26
PORT ORCHARD, WA 98366
TEL:(360) 337-5777 FAX:(360) 337-4867

NW HITE CENTER ROAD
RIGHT OF WAY AND REPLANTING PLAN
KITSAP COUNTY, WASHINGTON
SECTION 1&6, TOWNSHIP 24 NORTH, RANGE 1&2 WEST, W.M.

SHEET
6
OF
6