



ROMTEC

18240 NORTH 84th ROAD - ROSEBURG, OR 97170
 (503) 438-1100 FAX (503) 438-1101

PROJECT: SERRA MODEL 2011-16 3' VERSION
 KITSAP COUNTY
 SOUTH KITSAP REGIONAL PARK DOUBLE PLUMBED
 FLOOR PLAN

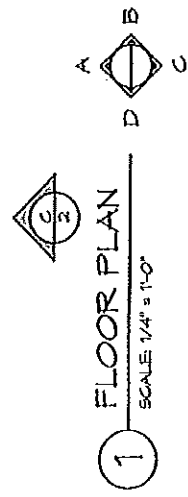
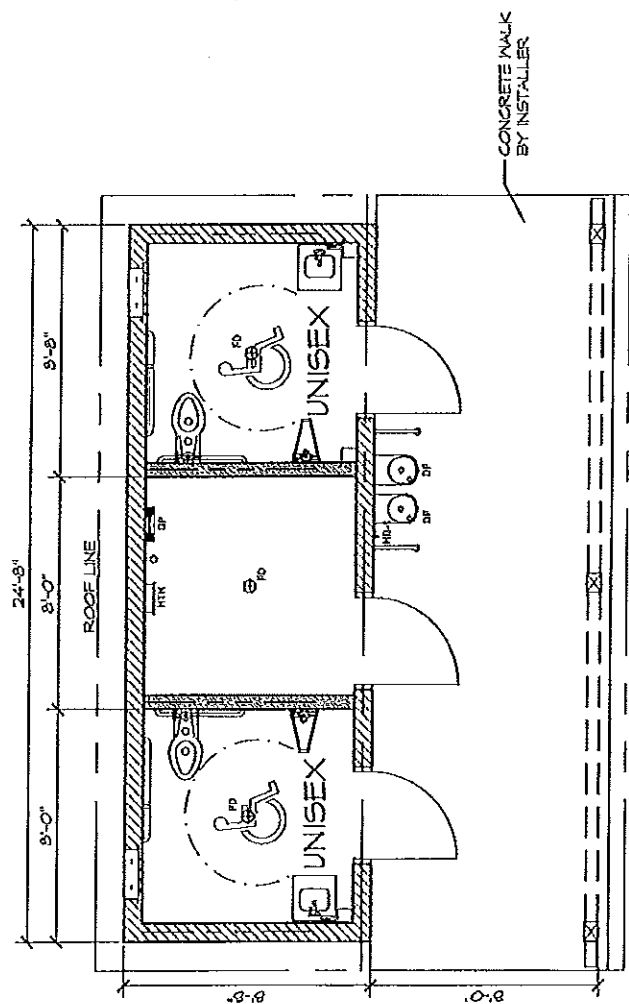
SHEET NO. 1

DATE: 07/10/18

REVISIONS:

WALL TYPE SCHEDULE

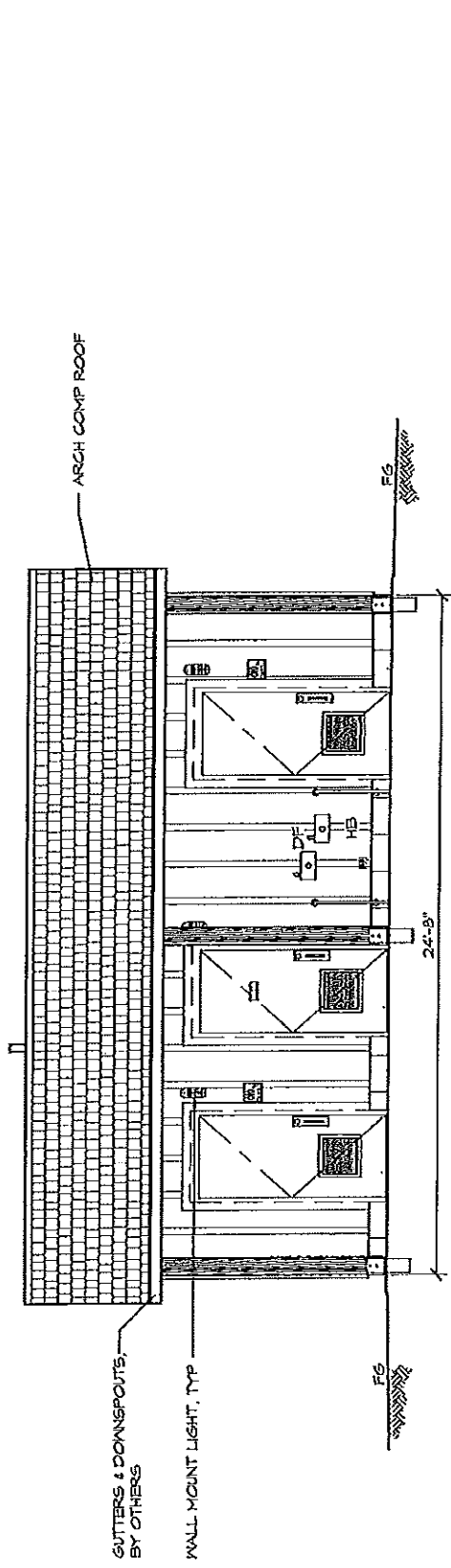
- 8" REINFORCED CONCRETE MASONRY BLOCK WALL WITH MORTAR JOINTS, GROUTED SOLID ALL CELLS RUNNING BOND PATTERN.
- 6" REINFORCED CONCRETE MASONRY BLOCK WALL WITH MORTAR JOINTS, GROUTED SOLID ALL CELLS RUNNING BOND PATTERN.



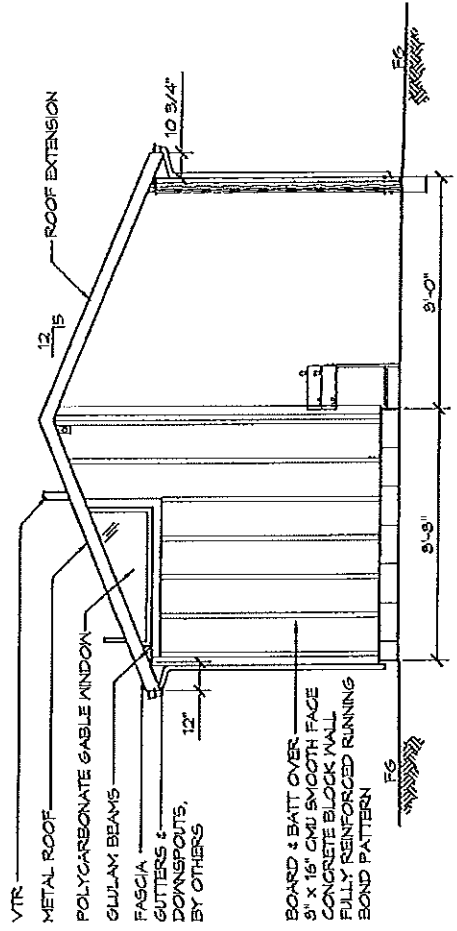
SYMBOL	DESCRIPTION	AREA	QUANTITY
	CABLE WINDOW		4
	EXTERIOR WALL LIGHTS		1
	INTERIOR WALL LIGHTS		3
	ELECTRICAL OUTLET		1
	INSTANT WATER HEATER		2
	FLOOR DRAIN		3
	2'-0" X 2'-0" KICKPROOF WALL		2
	TWO ROLL TP DISPENSER		2
	TOWEL DISPENSER		2
	SOAP DISPENSER		2
	HEATER		1

NOTE: HEATER IN MECH ROOM FOR FREEZE PROTECTION ONLY

THESE PLAN VIEW AND ELEVATION DRAWINGS ARE A PRELIMINARY ARCHITECTURAL REPRESENTATION OF THE BUILDING. ALL DIMENSIONS, FEATURES AND COMPONENTS SHOWN ON THESE PRELIMINARY DRAWINGS MAY OR MAY NOT BE PART OF THE QUOTE. PLEASE REFER TO THE 'SCOPE OF SUPPLY AND SERVICES' LETTER PROVIDED WITH YOUR QUOTE FOR ROMTEC'S PROPOSED SCOPE OF SUPPLY.



(C) ELEVATION VIEW
 SCALE: 1/4" = 1'-0"



(D) ELEVATION VIEW
 SCALE: 1/4" = 1'-0"

THESE PLAN VIEW AND ELEVATION DRAWINGS ARE A PRELIMINARY ARCHITECTURAL REPRESENTATION OF THE BUILDING. ALL DIMENSIONS, FEATURES AND COMPONENTS SHOWN ON THESE PRELIMINARY DRAWINGS MAY OR MAY NOT BE PART OF THE QUOTE. PLEASE REFER TO THE "SCOPE OF SUPPLY AND SERVICES" LETTER PROVIDED WITH YOUR QUOTE FOR ROMTEC'S PROPOSED SCOPE OF SUPPLY.