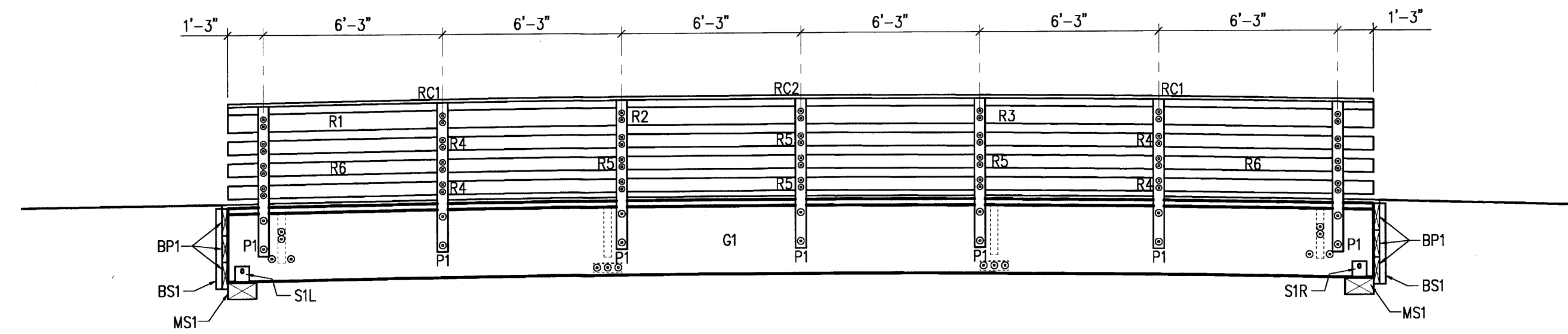
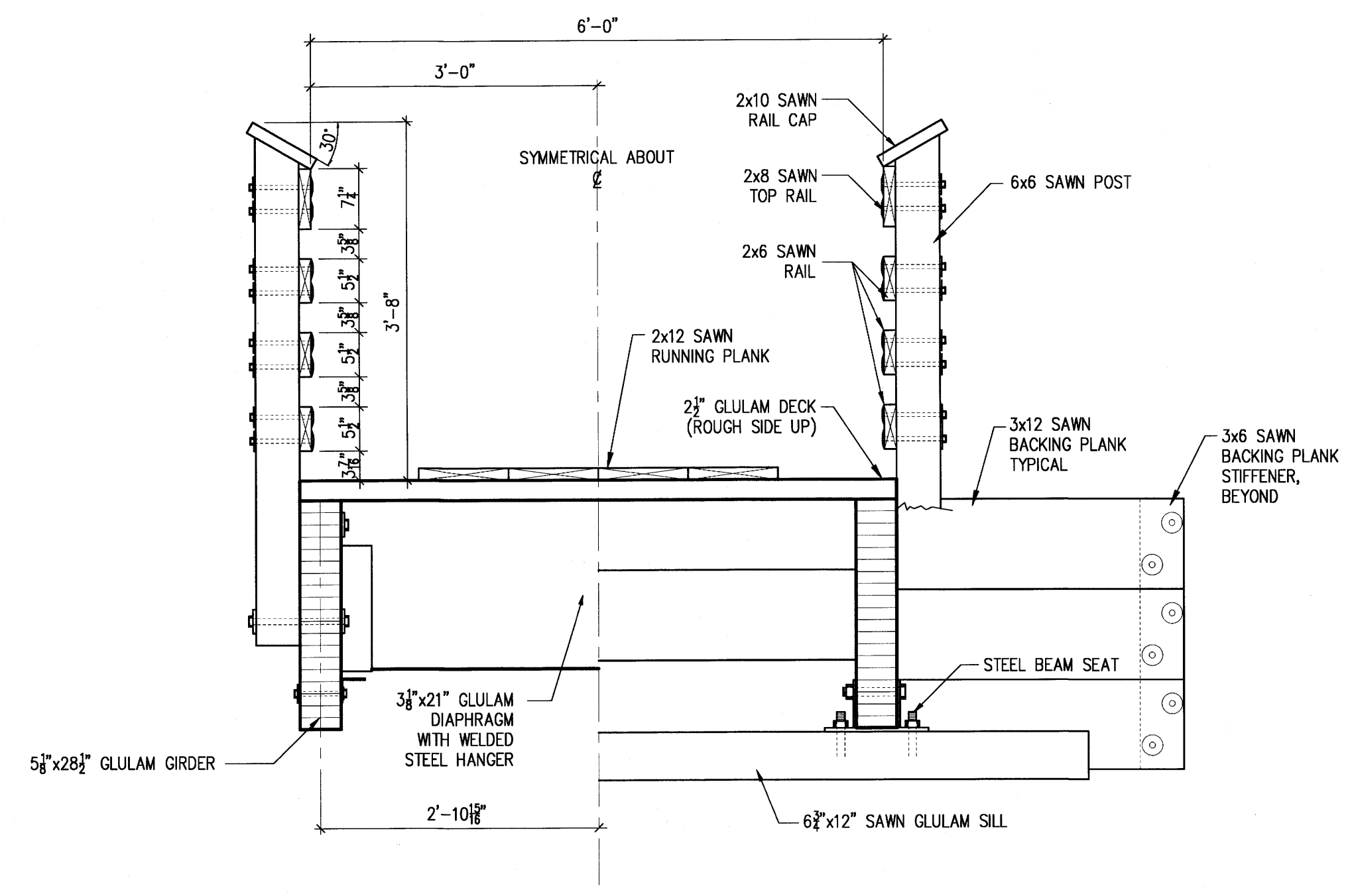


CUT AWAY PLAN VIEW



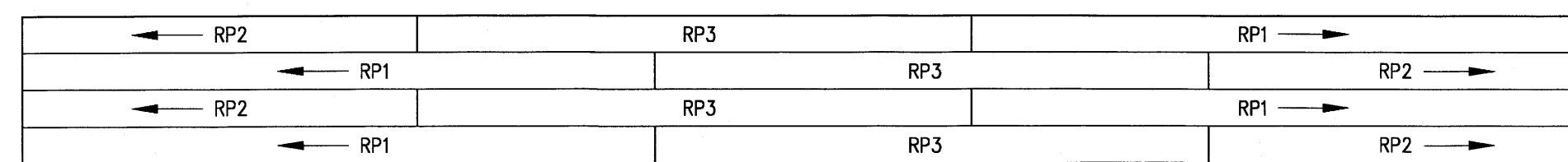
ELEVATION VIEW



BRIDGE SECTION @ MIDSPAN/ABUTMENT

Reviewed for Code Compliance  
Kitsap County Building/ Fire Marshals  
07/16/2020 11:49:15 AM kwlodarchak

Subject to Field Inspection



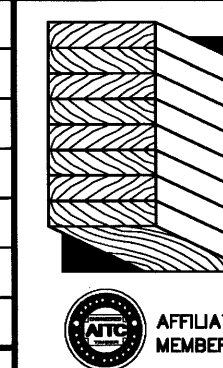
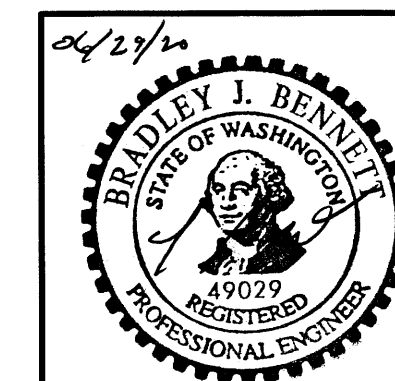
RUNNING PLANK LAYOUT

BRIDGE HARDWARE LISTS:

4	GIRDER TO MUDSILL
1	BEAM SEAT - MARK SIL OR SIR
2	1" x 4" LAG SCREW
1	1" x 7 1/2" MACHINE BOLT
4	1" CUT WASHER (Ø SLOTTED HOLE)
12	BACKING PLANK TO GIRDER
3	7" RING SHANK NAIL
4	BACKING PLANK STIFFENER TO BACKING PLANK
6	1/2" x 7" MACHINE BOLT
12	1/2" MALLEABLE IRON WASHER
8	DIAPHRAGM TO GIRDER
1	SIMPSON HU3.25/16 HANGER
16d	NAIL
8	10d NAIL
80	DECK PLANK TO GIRDER
2	60d x 6" RING SHANK NAIL
2	DECK PLANK TO BACKING PLANK
6	7" RING SHANK NAILS 12" O.C.
14	POST TO GIRDER
2	3/4" x 12" MACHINE BOLT
4	3/4" MALLEABLE IRON WASHER
74	RAIL TO POST
2	#10 x 4" WOOD SCREWS
14	RAIL CAP TO POST
2	#10 x 4" WOOD SCREWS
2	RAIL CAP TO RAIL
40	#10 x 4" WOOD SCREWS 2'-0" O.C.
112	RUNNING PLANK TO DECK PLANK
1	40d x 5" RING SHANK NAIL
2'-0" O.C.	ALTERNATE CENTERS WITH (2) EACH END

WARNING: Drilling, sawing, sanding or machining wood products can expose you to wood dust, a substance known to the State of California to cause cancer. Avoid inhaling wood dust or use a dust mask or other safeguards for personal protection. For more information go to www.P65Warnings.ca.gov/wood

This drawing is the property of Western Wood Structures, Inc. and has been prepared specifically for the job indicated. It shall not be reproduced or used on any other project without the written consent of Western Wood Structures, Inc.



**WESTERN WOOD STRUCTURES, INC.**  
P.O. BOX 130 TUALATIN, OREGON 97062  
503/692-6900 FAX 503/692-6434  
800/547-5411

PROJECT:	HARPER PARK BRIDGE
LOCATION:	PORT ORCHARD, WASHINGTON
ARCHITECT:	
ENGINEER:	
CONTRACTOR:	KITSAP COUNTY DEPARTMENT OF PARKS AND REC.
DRAWN BY:	CH DATE 6/18/2020
CHECKED BY:	J.S. DATE 6/29/2020
DATE PRINTED:	
JOB NO.	194017
PLOT DATE	06/29/20
SHEET	1 OF 2

GOVERNING CODE:

AASHTO LRFD GUIDE SPECIFICATIONS FOR THE DESIGN OF PEDESTRIAN BRIDGES, 2009, WITH 2015 INTERIM REVISIONS (GUIDE)  
AASHTO LRFD BRIDGE DESIGN SPECIFICATIONS, 2017 (AASHTO)  
AASHTO STANDARD SPECIFICATIONS FOR STRUCTURAL SUPPORTS FOR HIGHWAY SIGNS, LUMINAIRES AND TRAFFIC SIGNALS, 2009 (SIGNS)

DESIGN CRITERIA:

LIVE LOAD : 90 PSF (GUIDE 3.1)  
WIND LOAD : 110 MPH (SIGNS FIGURE 3-2a)  
SEISMIC GROUND MOTION  
PGA = 0.42g  
S<sub>v</sub> = 1.00g  
S<sub>w</sub> = 0.35g

GLULAM SPECIFICATIONS:

MATERIAL : WEST COAST DOUGLAS FIR 24F-V4 OR COMBINATION 2 AS NOTED.  
ADHESIVE : WATERPROOF PHENOLIC  
FABRICATION : AS SHOWN AND NOTED. MACHINE INCISE ALL GLULAM.  
APPEARANCE : AS SHOWN & NOTED  
FINISH : SEE TREATMENT SPECIFICATIONS  
PROTECTION : NONE  
CERTIFICATE : ANSI 117-2015 / APA-EWS

GLULAM MATERIAL INCLUDES: GIRDERS, DIAPHRAGMS, DECK PANELS AND SILLS

SAWN LUMBER SPECIFICATIONS:

MATERIAL : WEST COAST DOUGLAS FIR #1 PER WCLIB  
GRADING RULES #16.  
FABRICATION : AS SHOWN & NOTED  
SURFACE : AS NOTED  
FINISH : SEE TREATMENT SPECIFICATIONS

SAWN LUMBER INCLUDES: POSTS, RAILS, BACKWALLS AND RUNNING PLANKS

STEEL SPECIFICATIONS:

STEEL SHAPES : ASTM A36  
HARDWARE : ASTM A307  
HOT DIP GALVANIZE ALL STEEL SHAPES AFTER FABRICATION.  
HOT DIP GALVANIZE ALL HARDWARE.

ALL WELDING TO BE PER AWS SPECIFICATIONS BY CERTIFIED WELDERS. TREAT ALL FIELD MODIFICATIONS W/ COLD GALVANIZING PAINT.

TREATMENT SPECIFICATIONS:

ALL DIMENSIONED CUTS AND HOLES IN TIMBER MATERIAL SHALL BE MADE PRIOR TO PRESSURE TREATMENT. TREAT ALL FIELD CUTS AND BORES WITH COPPER NAPHTHENATE IN ACCORDANCE WITH AWPA SPECIFICATION M4.

TREAT GLULAM SILLS AND SAWN BACKWALLS WITH PENTACHLOROPHENOL IN HEAVY OIL TO A MINIMUM NET RETENTION OF 0.6 PCF PER AWPA SPECIFICATION U1. ISSUE CERTIFICATION OF TREATMENT.

TREAT SAWN RUNNING PLANKS AND HANDRAILS WITH PENTACHLOROPHENOL IN LIGHT SOLVENT TO A MINIMUM NET RETENTION OF 0.4 PCF PER AWPA SPECIFICATION U1.

TREAT BALANCE OF MATERIAL WITH PENTACHLOROPHENOL IN HEAVY OIL TO A MINIMUM NET RETENTION OF 0.4 PCF PER AWPA SPECIFICATION U1.

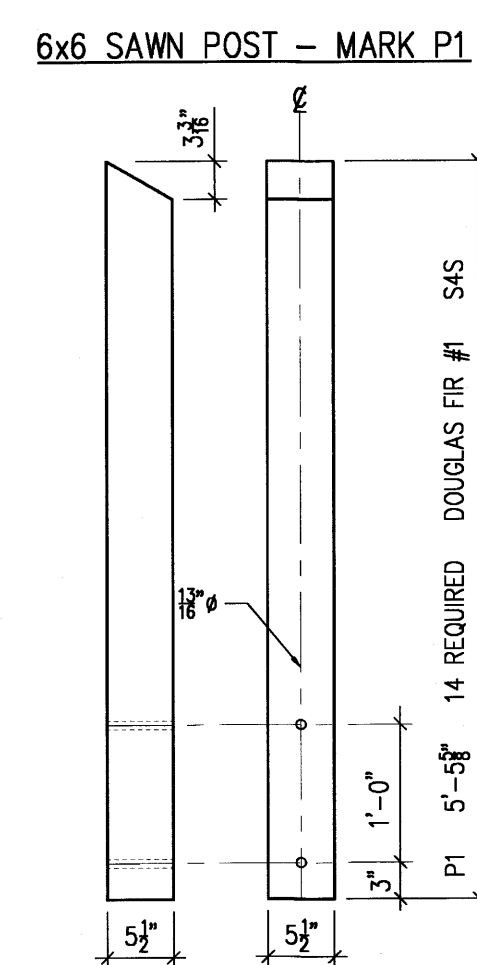
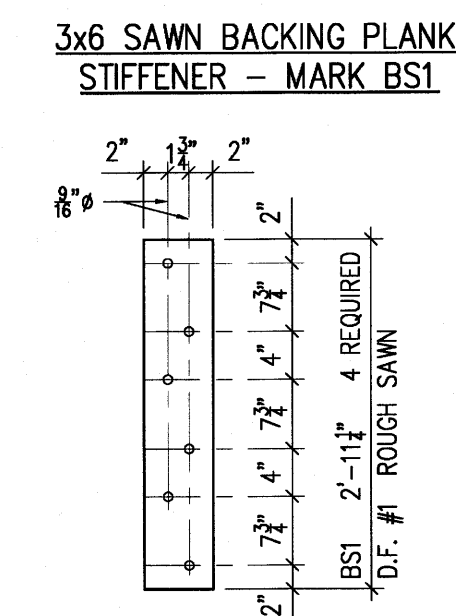
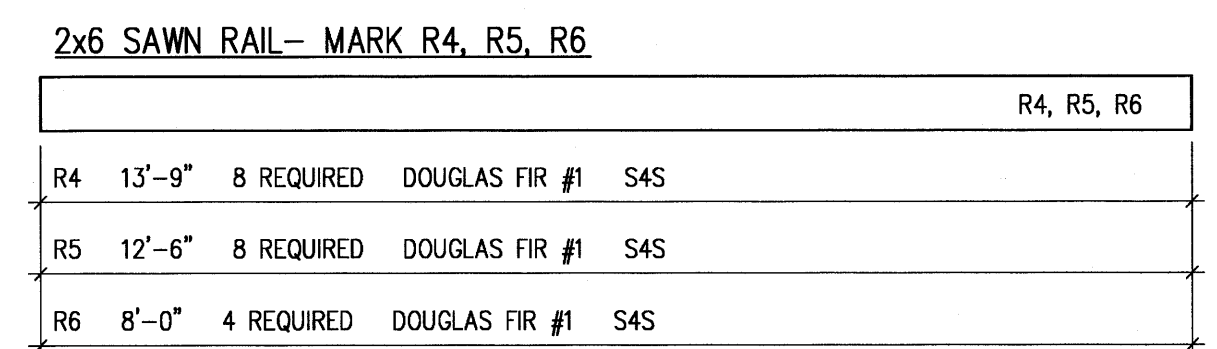
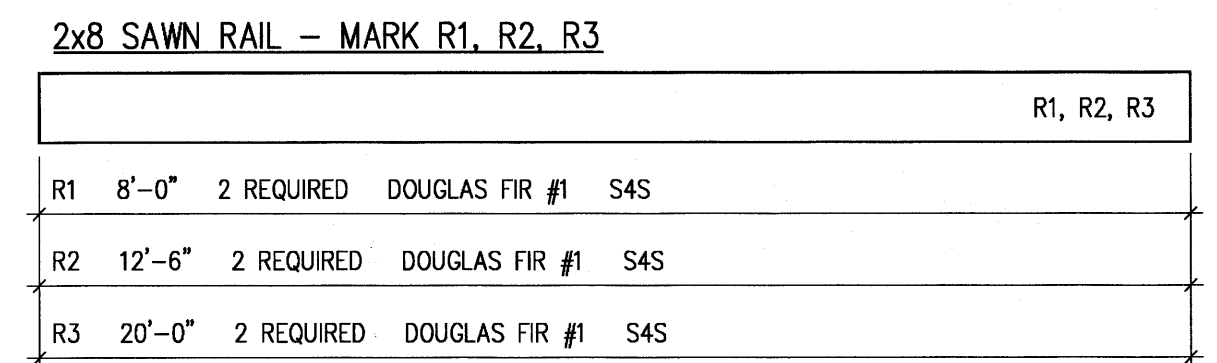
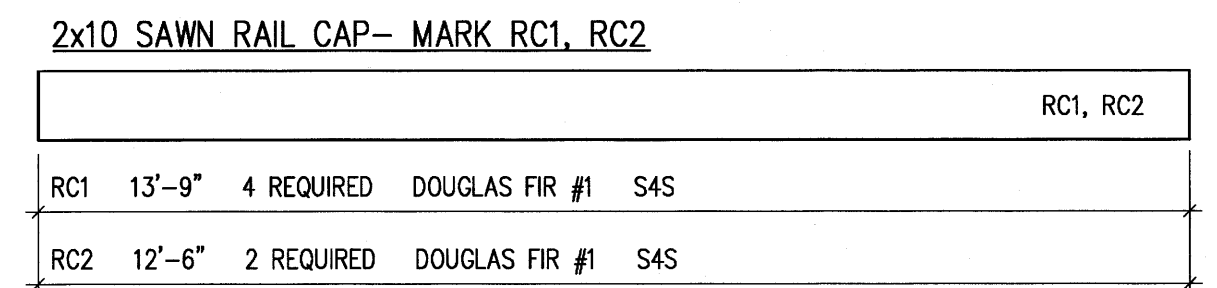
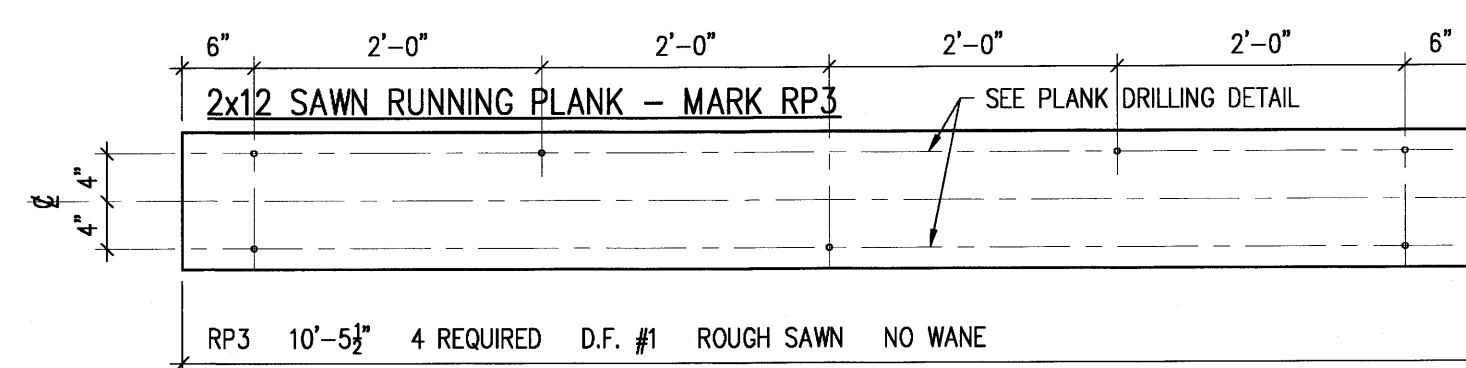
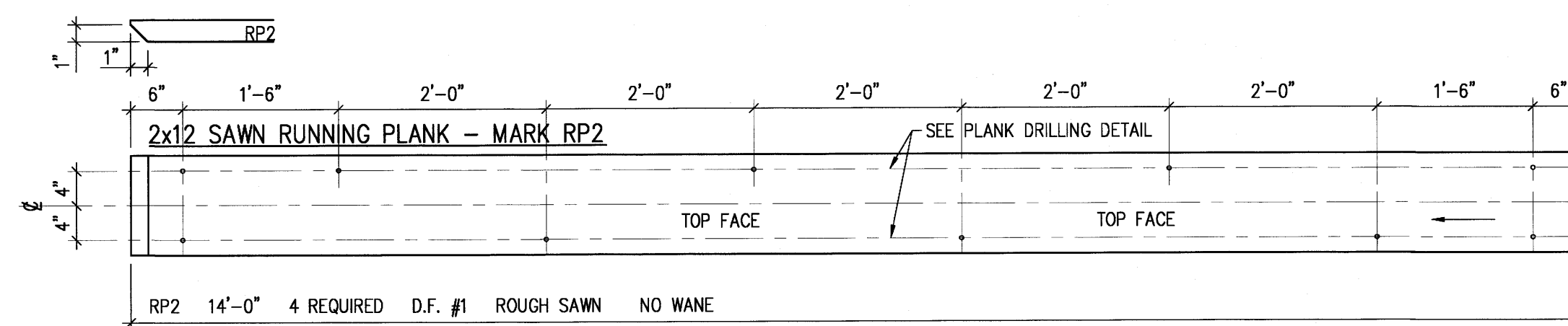
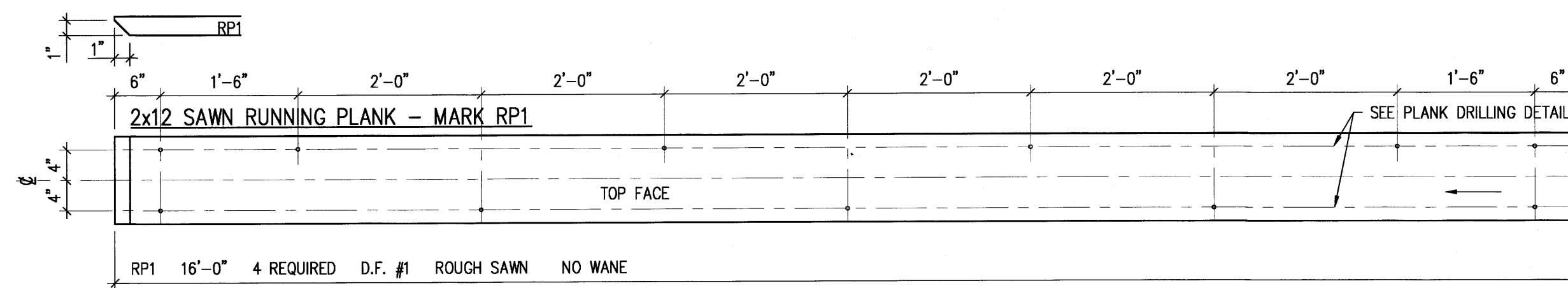
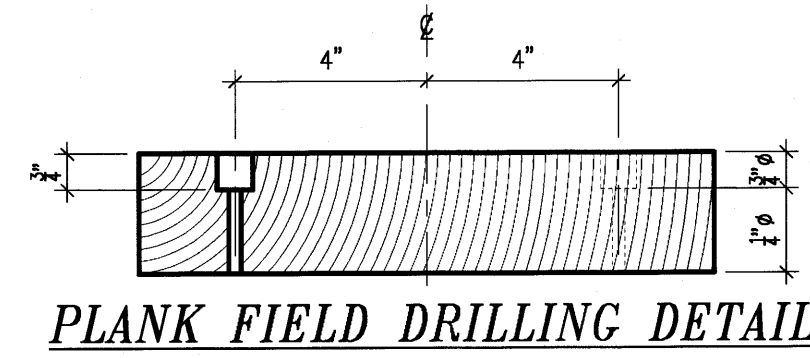
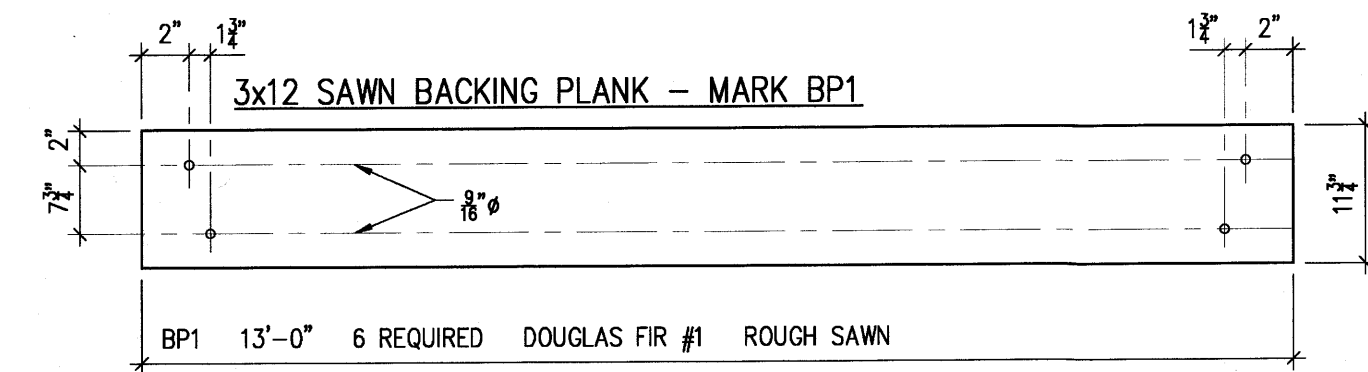
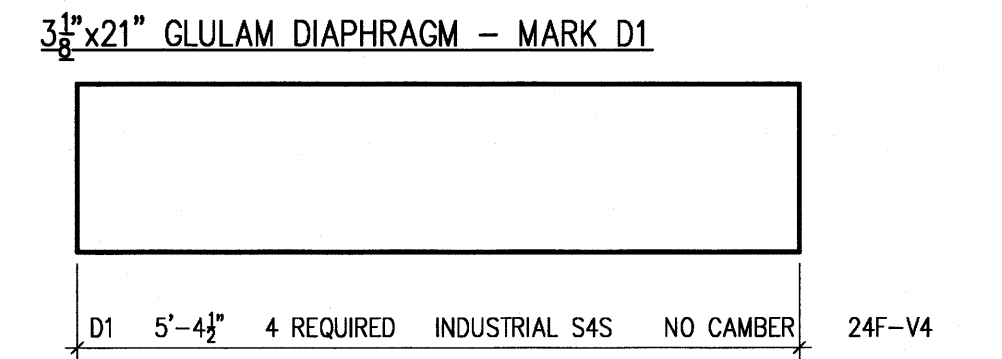
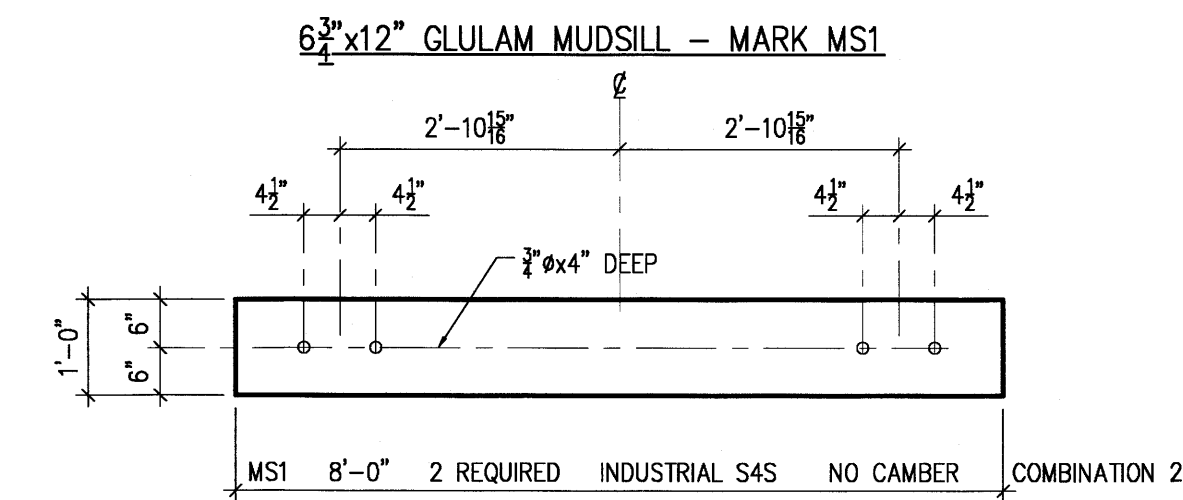
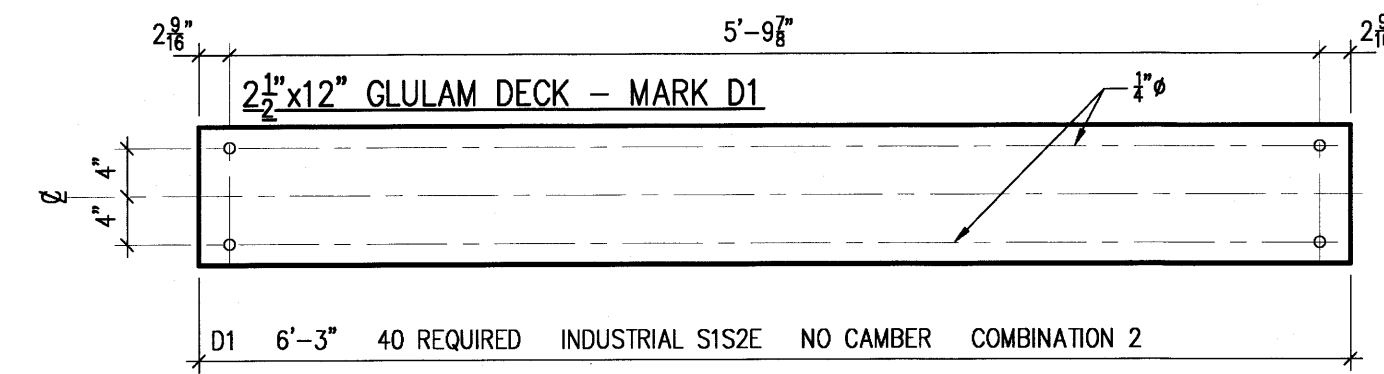
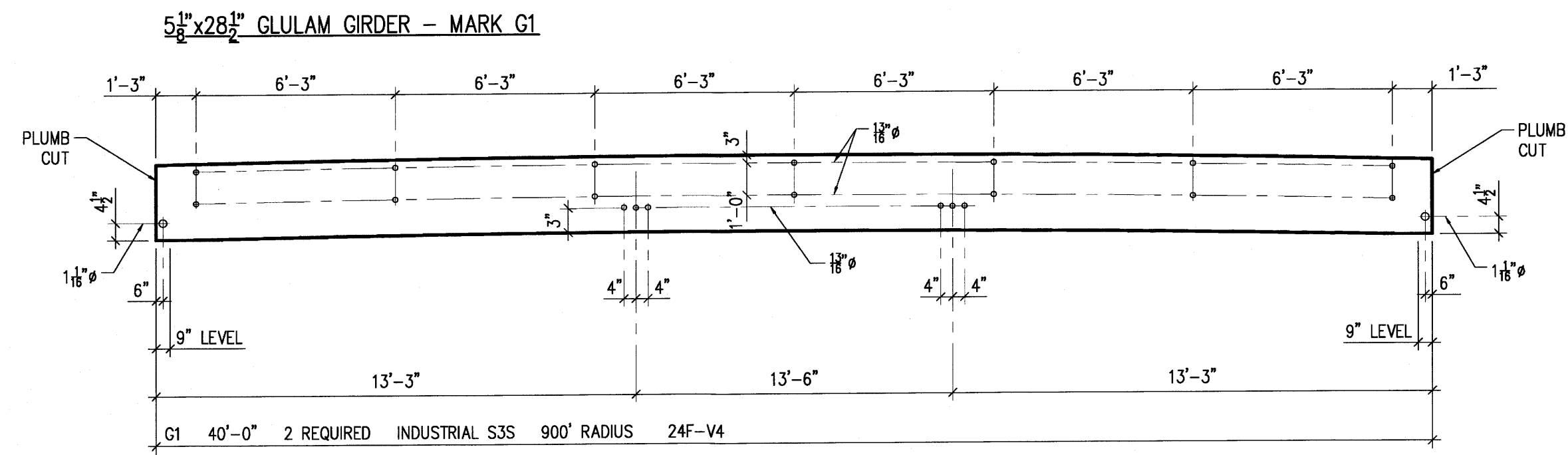
—NOTE—

THE LUMBER AND GLULAM ON THIS PROJECT ARE PRESSURE TREATED WITH PENTACHLOROPHENOL WHICH INSURES A LONG AND USEFUL SERVICE LIFE. WORKERS SHOULD USE COMMON SENSE IN HANDLING THESE TREATED TIMBERS. AVOID DIRECT SKIN CONTACT WITH THE PRESERVATIVE BY WEARING RUBBER WORK GLOVES, LONG SLEEVE SHIRTS, AND LONG PANTS. WHEN TREATED WOOD IS FIELD FABRICATED, WORKERS SHOULD ALSO WEAR A FACE MASK AND GOGGLES.

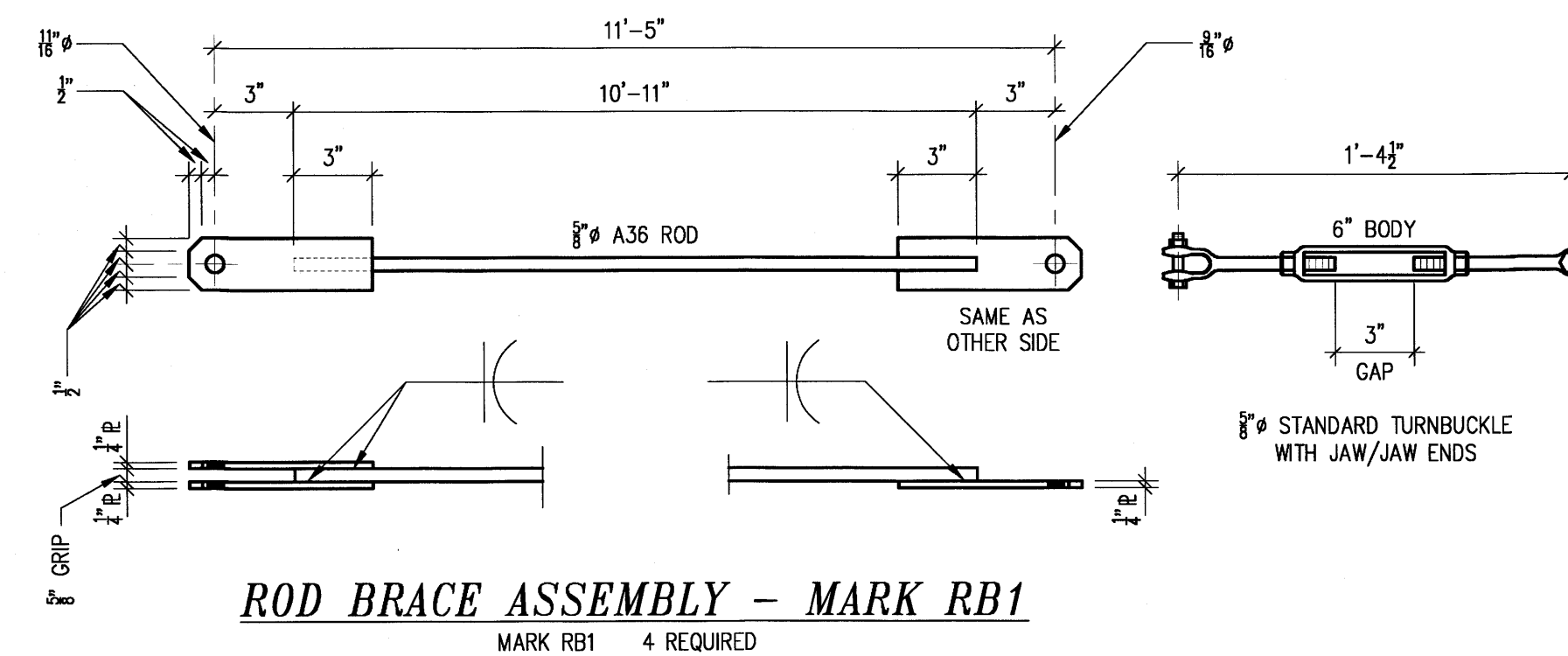
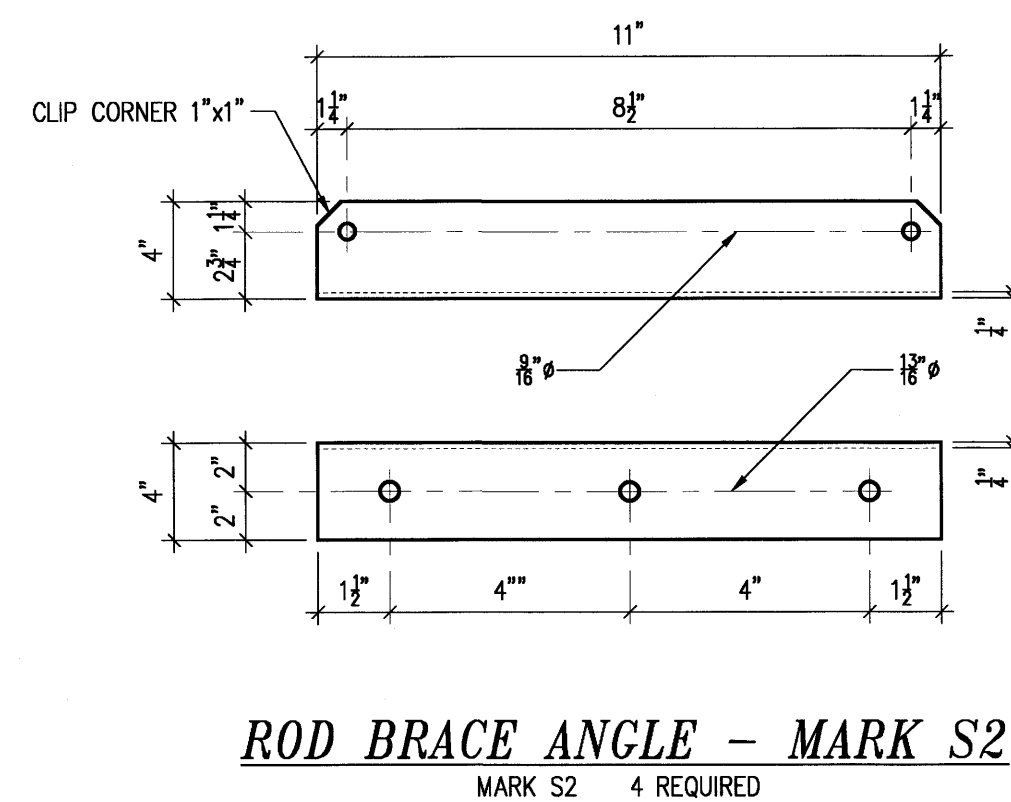
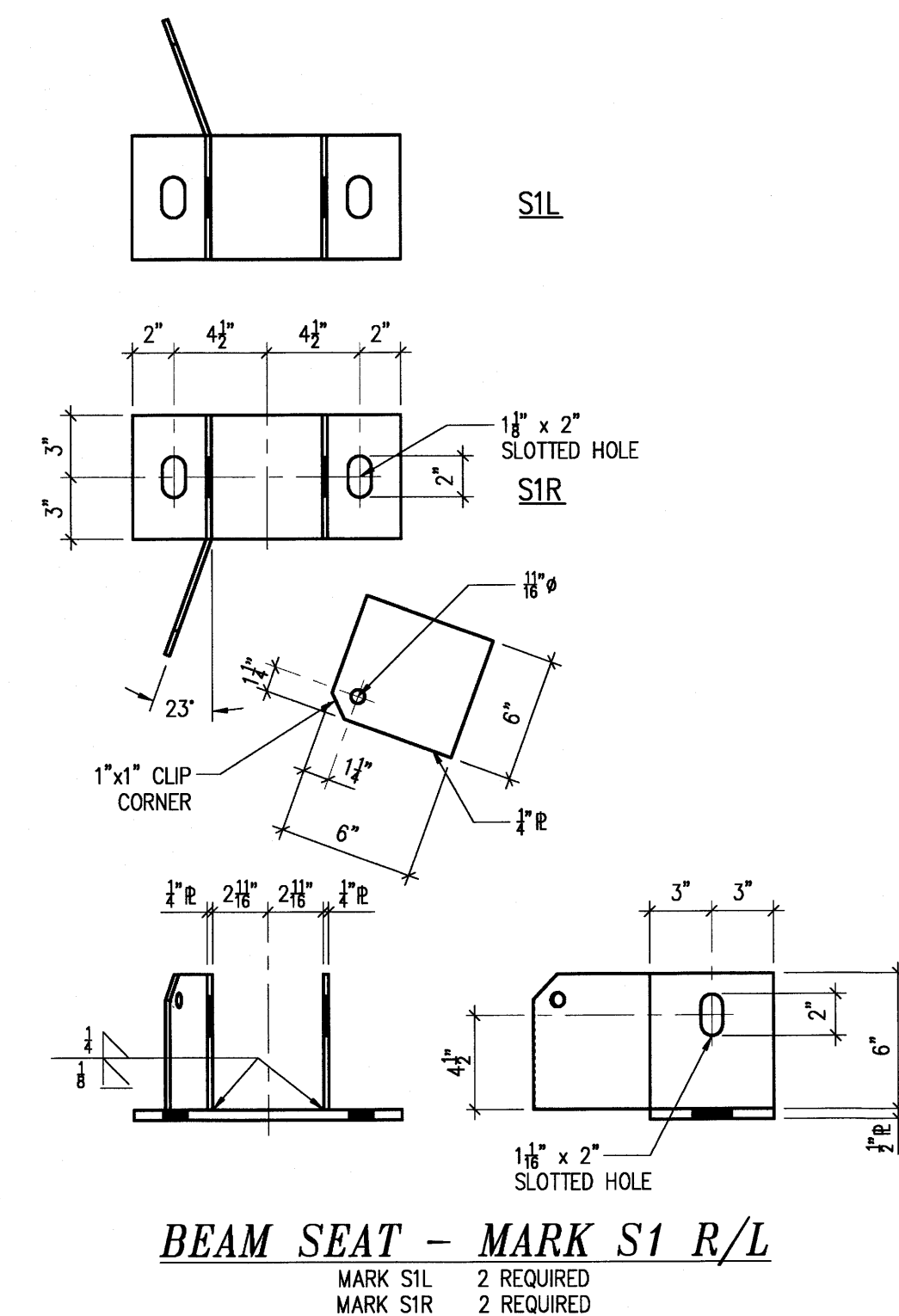
TIMBER TREATED WITH PENTACHLOROPHENOL MAY EXHIBIT A BLOOMING OF DRIED CRYSTALS ON THE WOOD SURFACES FOR SEVERAL WEEKS AFTER INSTALLATION. THESE CRYSTALS CAN BE BRUSHED OR WASHED OFF THE SURFACES OF THE BRIDGE, SUCH AS RAILING OR OTHER SURFACES SUBJECT TO PUBLIC CONTACT. THE BLOOMING WILL DISCONTINUE AS THE TIMBER REACHES EQUILIBRIUM WITH THE ATMOSPHERIC CONDITIONS.

IT MAY BE DIFFICULT TO APPLY CERTAIN PAINT OR STAIN FINISHES TO PRESSURE TREATED TIMBERS. TIMBERS TREATED WITH LIGHT SOLVENT PENTACHLOROPHENOL SHOULD NOT BE CONSIDERED AS PAINTABLE UNTIL ALL SOLVENT HAS ESCAPED. WWS RECOMMENDS USING A PENETRATING PIGMENTED STAIN THAT DOES NOT FORM A COATING ON THE WOOD SURFACES.

IF BRIDGE MATERIAL IS TO BE STOCK PILED AT THE SITE, IT MUST BE STORED IN A LEVEL AREA AND STICKERED APPROXIMATELY EVERY 6 FEET. IF THE MATERIAL IS STORED IN A HOT, DRY CLIMATE, IT MUST ALSO BE COVERED WITH PLYWOOD OR OTHER MATERIAL TO PROTECT IT. FAILURE TO STICKER AND COVER MAY CAUSE WARPING AND EXCESSIVE SEASONING CHECKS.

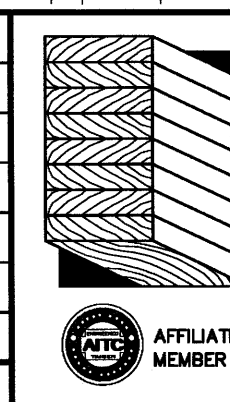
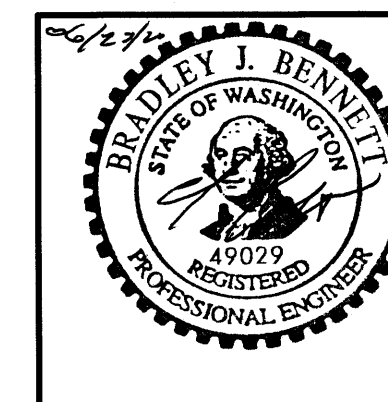


Reviewed for Code Compliance  
Kitsap County Building/ Fire Marshals  
07/16/2020 11:49:24 AM kwlodarchak



WARNING: Drilling, sawing, sanding or machining wood products can expose you to wood dust, a substance known to the State of California to cause cancer. Avoid inhaling wood dust or use a dust mask or other safeguards for personal protection. For more information go to www.P65Warnings.ca.gov/wood

This drawing is the property of Western Wood Structures, Inc. and has been prepared specifically for the job indicated. It shall not be reproduced or used on any other project without the written consent of Western Wood Structures, Inc.



**WESTERN WOOD STRUCTURES, INC.**  
P.O. BOX 130 TUALATIN, OREGON 97062  
503/692-6900 FAX 503/692-6434  
800/547-5411

PROJECT:	HARPER PARK BRIDGE		
LOCATION:	PORT ORCHARD, WASHINGTON		
ARCHITECT:			
ENGINEER:			
CONTRACTOR:	KITSAP COUNTY DEPARTMENT OF PARKS AND REC.		
DRAWN BY:	CH	DATE	6/18/2020
CHECKED BY:	J.S.	DATE	6/29/2020
DATE PRINTED:		PLOT DATE	06/29/20
		SHEET	2 of 2